

Air-Conditioners For Building Application

INDOOR UNIT

PLFY-P·VFM-E1

For use with the R410A
Bei Verwendung von R410A
A utiliser avec le R410A
Bij gebruik van R410A
Para utilizar con el R410A
Uso del refrigerante R410A
Για χρήση με τα R410A

Para utilização com o R410A
Til anvendelse sammen med R410A
För användning med R410A
R410A ile beraber kullanmak için
Для использования с моделями R410A
For bruk med R410A
Do użytku z R410A

INSTALLATION MANUAL

For safe and correct use, please read this installation manual thoroughly before installing the air-conditioner unit.

FOR INSTALLER

INSTALLATIONSHANDBUCH

Zum sicheren und ordnungsgemäßen Gebrauch der Klimaanlage das Installationshandbuch gründlich durchlesen.

FÜR INSTALLATEURE

MANUEL D'INSTALLATION

Veillez lire le manuel d'installation en entier avant d'installer ce climatiseur pour éviter tout accident et vous assurer d'une utilisation correcte.

POUR L'INSTALLATEUR

INSTALLATIEHANDLEIDING

Voor een veilig en juist gebruik moet u deze installatiehandleiding grondig doorlezen voordat u de airconditioner installeert.

VOOR DE INSTALLATEUR

MANUAL DE INSTALACIÓN

Para un uso seguro y correcto, lea detalladamente este manual de instalación antes de montar la unidad de aire acondicionado.

PARA EL INSTALADOR

MANUALE DI INSTALLAZIONE

Per un uso sicuro e corretto, leggere attentamente questo manuale di installazione prima di installare il condizionatore d'aria.

PER L'INSTALLATORE

ΕΓΧΕΙΡΙΔΙΟ ΟΔΗΓΙΩΝ ΕΓΚΑΤΑΣΤΑΣΗΣ

Για ασφάλεια και σωστή χρήση, παρακαλείστε διαβάσετε προσεκτικά αυτό το εγχειρίδιο εγκατάστασης πριν αρχίσετε την εγκατάσταση της μονάδας κλιματισμού.

ΓΙΑ ΑΥΤΟΝ ΠΟΥ ΚΑΝΕΙ ΤΗΝ ΕΓΚΑΤΑΣΤΑΣΗ

MANUAL DE INSTALAÇÃO

Para segurança e utilização correctas, leia atentamente este manual de instalação antes de instalar a unidade de ar condicionado.

PARA O INSTALADOR

INSTALLATIONS MANUAL

Læs af sikkerhedshensyn denne installationsmanual grundigt, før du installerer klimaanlægget.

TIL INSTALLATØREN

INSTALLATIONS MANUAL

Läs installationsmanualen noga innan du installerar luftkonditioneringsenheten för säker och korrekt användning.

FÖR INSTALLATÖREN

MONTAJ ELKİTABI

Emniyetli ve doğru biçimde nasıl kullanılacağını öğrenmek için lütfen klima cihazını monte etmeden önce bu elkitabını dikkatle okuyunuz.

MONTÖR İÇİN

РУКОВОДСТВО ПО УСТАНОВКЕ

Для осторожного и правильного использования прибора необходимо тщательно ознакомиться с данным руководством по установке до выполнения установки кондиционера.

ДЛЯ УСТАНОВИТЕЛЯ

INSTALLASJONSHÅNDBOK

For sikkert og riktig bruk av klimaanlegget, vennligst les nøye gjennom denne bruksanvisningen før det installeres.

FOR MONTØR

INSTRUKCJA MONTAŻU

Aby zapewnić bezpieczne i prawidłowe korzystanie z klimatyzatora, przed montażem należy uważnie przeczytać niniejszą instrukcję montażu.

DLA INSTALATORA**English (GB)****Deutsch (D)****Français (F)****Nederlands (NL)****Español (E)****Italiano (I)****Ελληνικά (GR)****Português (P)****Dansk (DA)****Svenska (SV)****Türkçe (TR)****Русский (RU)****Norsk (NO)****Polski (PL)**

Contents

1. Safety precautions.....	2	4. Electrical work	6
2. Installing the indoor unit	2	5. Installing the grille.....	13
3. Refrigerant pipe and drain pipe.....	5	6. Test run.....	17

Note:
The phrase "Wired remote controller" in this installation manual refers to the PAR-32MAA.
If you need any information for the other remote controller, please refer to either the installation manual or initial setting manual which are included in these boxes.

1. Safety precautions

- ▶ Before installing the unit, make sure you read all the "Safety precautions".
- ▶ Please report to your supply authority or obtain their consent before connecting this equipment to the power supply system.

Warning:
Describes precautions that must be observed to prevent danger of injury or death to the user.

Caution:
Describes precautions that must be observed to prevent damage to the unit.

After installation work has been completed, explain the "Safety precautions," use, and maintenance of the unit to the customer according to the information in the Operation Manual and perform the test run to ensure normal operation. Both the Installation Manual and Operation Manual must be given to the user for keeping. These manuals must be passed on to subsequent users.

- ⊘ : Indicates an action that must be avoided.
- ⚠ : Indicates that important instructions must be followed.
- ⚡ : Indicates a part which must be grounded.
- ⚠ : Indicates that caution should be taken with rotating parts.
- ⚠ : Indicates that the main switch must be turned off before servicing.
- ⚠ : Beware of electric shock.
- ⚠ : Beware of hot surface.
- ⚠ ELV: At servicing, please shut down the power supply for both the Indoor and Outdoor Unit.

Warning:
Carefully read the labels affixed to the main unit.
Install the indoor unit at least 2.5 m above floor or grade level.
For appliances not accessible to the general public.

- Warning:**
- Ask the dealer or an authorized technician to install the air conditioner.
 - The user should never attempt to repair the unit or transfer it to another location.
 - Install the unit at a place that can withstand its weight.
 - Use only specified cables for wiring. The wiring connections must be made securely with no tension applied on the terminal connections. Also, never splice the cables for wiring (unless otherwise indicated in this document). Failure to observe these instructions may result in overheating or a fire.
 - Use only accessories authorized by Mitsubishi Electric and ask the dealer or an authorized technician to install them.
 - Do not touch the heat exchanger fins.
 - Install the air conditioner according to this Installation Manual.
 - Have all electric work done by a licensed electrician according to local regulations.
 - The appliance shall be installed in accordance with national wiring regulations.

- If the supply cord is damaged, it must be replaced by the manufacturer, its service agent or similarly qualified persons in order to avoid a hazard.
- If the air conditioner is installed in a small room, measures must be taken to prevent the refrigerant concentration from exceeding the safety limit even if the refrigerant should leak.
- The cut face punched parts may cause injury by cut, etc. The installers are requested to wear protective equipment such as gloves, etc.
- When installing or relocating, or servicing the air conditioner, use only the specified refrigerant (R410A) to charge the refrigerant lines. Do not mix it with any other refrigerant and do not allow air to remain in the lines. If air is mixed with the refrigerant, then it can be the cause of abnormal high pressure in the refrigerant line, and may result in an explosion and other hazards. The use of any refrigerant other than that specified for the system will cause mechanical failure or system malfunction or unit breakdown. In the worst case, this could lead to a serious impediment to securing product safety.

- Caution:**
- Do not use the existing refrigerant piping.
 - Use ester oil, either oil or alkylbenzene (small amount) as the refrigerator oil to coat flares and flange connections.
 - Do not use the air conditioner where food, pets, plants, precision instruments, or artwork are kept.
 - Do not use the air conditioner in special environments.
 - Ground the unit.
 - Install an leak circuit breaker, as required.
 - Use power line cables of sufficient current carrying capacity and rating.
 - Use only a circuit breaker and fuse of the specified capacity.

- Do not touch the switches with wet fingers.
- Do not touch the refrigerant pipes during and immediately after operation.
- Do not operate the air conditioner with the panels and guards removed.
- Do not turn off the power immediately after stopping operation.
- If the unit is run for long hours when the air above the ceiling is at high temperature/high humidity (dew point above 26 °C), dew condensation may be produced in the indoor unit or the ceiling materials. When operating the units in this condition, add insulation material (10-20 mm) to the entire surface of the unit and ceiling materials to avoid dew condensation.

2. Installing the indoor unit

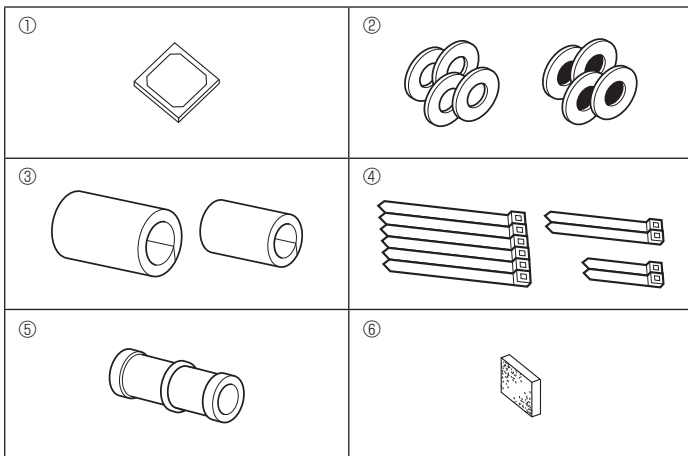


Fig. 2-1

2.1. Check the indoor unit accessories (Fig. 2-1)

The indoor unit should be supplied with the following accessories.

	Accessory name	Q'ty
①	Installation template	1
②	Washers (with insulation)	4
	Washers (without insulation)	4
③	Pipe cover (for refrigerant piping joint) small diameter (liquid)	1
	large diameter (gas)	1
④	Band (large)	6
	Band (middle)	2
	Band (small) * Use only one.	2
⑤	Drain socket	1
⑥	Insulation	1

2. Installing the indoor unit

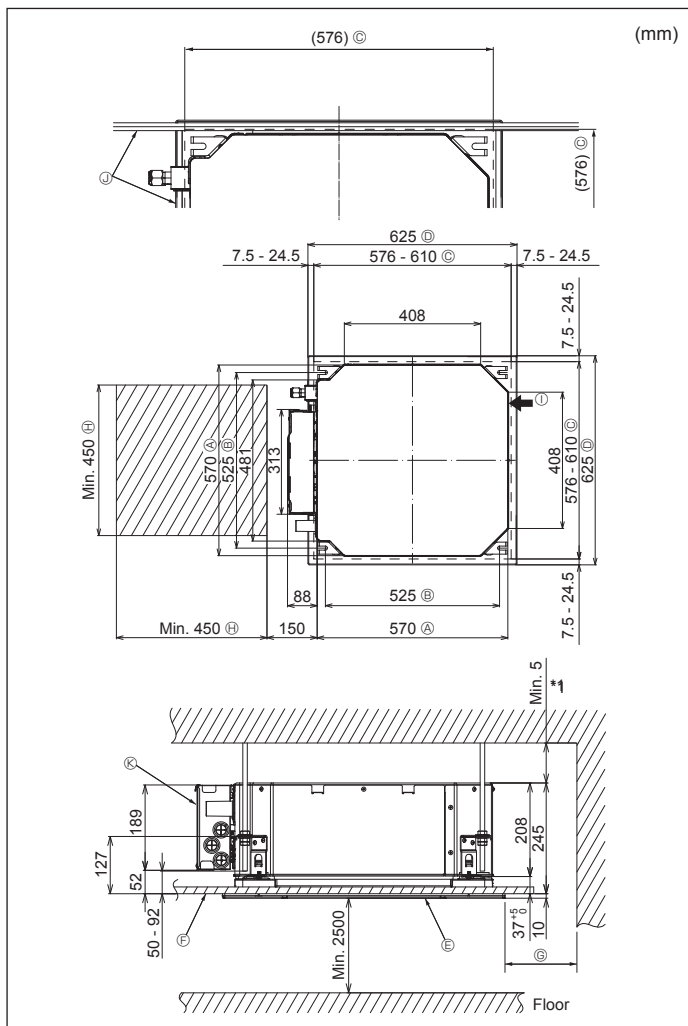


Fig. 2-2

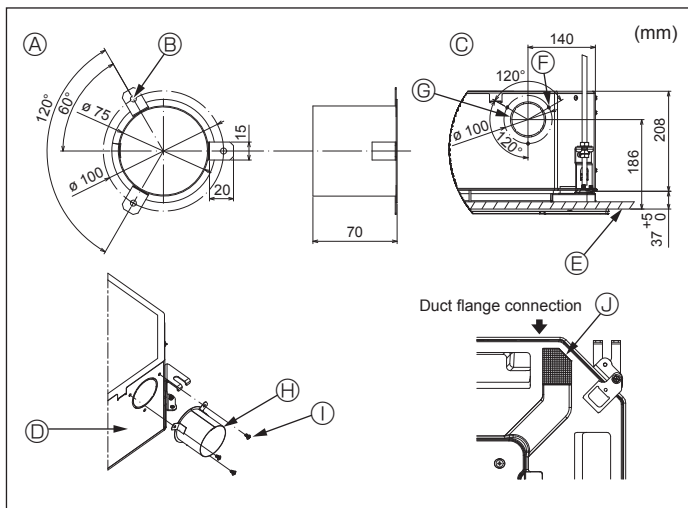


Fig. 2-3

2.2. Ceiling openings and suspension bolt installation locations (Fig. 2-2)

- Using the installation template and the gauge (supplied as an accessory with the grille), make an opening in the ceiling so that the main unit can be installed as shown in the diagram. (The method for using the template and the gauge are shown.)
 - Before using, check the dimensions of template and gauge, because they change due to fluctuations of temperature and humidity.
 - The dimensions of ceiling opening can be regulated within the range shown in following diagram; so center the main unit against the opening of ceiling, ensuring that the respective opposite sides on all sides of the clearance between them becomes identical.
- Use M10 (3/8") suspension bolts.
 - Suspension bolts are to be procured at the field.
- Install securely, ensuring that there is no clearance between the ceiling panel & grille, and between the main unit & grille.

- | | |
|---------------------------|---|
| Ⓐ Outer side of main unit | ⓐ Min. 500 mm (Entire periphery) |
| Ⓑ Bolt pitch | If setting the maintenance space for ⓐ, be sure to leave a minimum of 700 mm. |
| Ⓒ Ceiling opening | ⓓ Maintenance space |
| Ⓓ Outer side of Grille | ⓞ Fresh air intake |
| Ⓔ Grille | ⓞ Angle |
| Ⓕ Ceiling | ⓞ Electric component box |

* Leave the maintenance space at the electric component box end.

*1 When installing in an existing ceiling unit location or applying additional heat insulation, ensure a minimum space of 25 mm.

2.3. Installation of duct (in case of fresh air intake) (Fig. 2-3)

⚠ Caution:

Linkage of duct fan and air conditioner

In case that a duct fan is used, be sure to make it linked with the air conditioner when outside air is taken.

Do not run the duct fan only. It can cause dew drop.

Making a duct flange (prepared locally)

- The shape of duct flange shown left is recommended.

Installation of duct flange

- Cut out the cutout hole. Do not knock it out.
- Install a duct flange to the cutout hole of the indoor unit with three 4 × 10 tapping screws which should be prepared locally.

Installation of duct (should be prepared locally)

- Prepare a duct of which inner diameter fits into the outer diameter of the duct flange.
- In case that the environment above the ceiling is high temperature and high humidity, wrap the duct in a heat insulate to avoid causing dew drop on the wall.

Remove the drain pan insulation.

- | | |
|--|---|
| Ⓐ Duct flange recommended shape (Thickness: 0.8 or more) | ⓕ 3-Tapping screw hole |
| Ⓑ 3-φ5 hole | ⓖ ⌀73.4 cutout hole |
| Ⓒ Detail drawing of fresh air intake | ⓗ Duct flange (Prepared locally) |
| Ⓓ Indoor unit | ⓞ 4 × 10 Tapping screw (Prepared locally) |
| Ⓔ Ceiling surface | ⓞ Insulation |

2. Installing the indoor unit

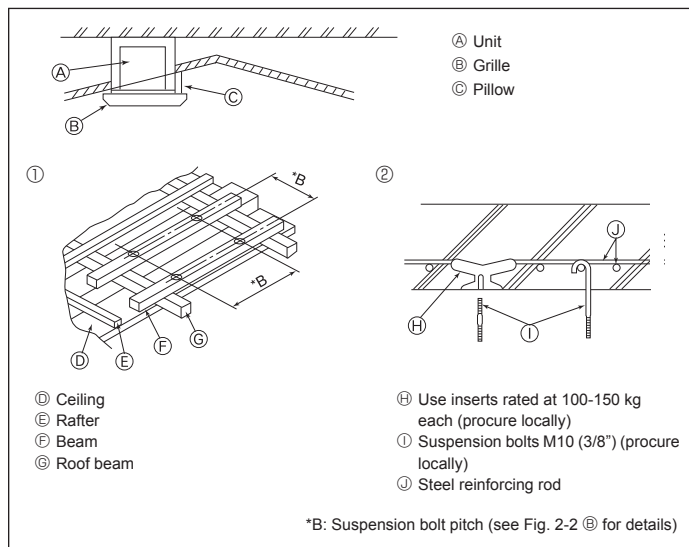


Fig. 2-4

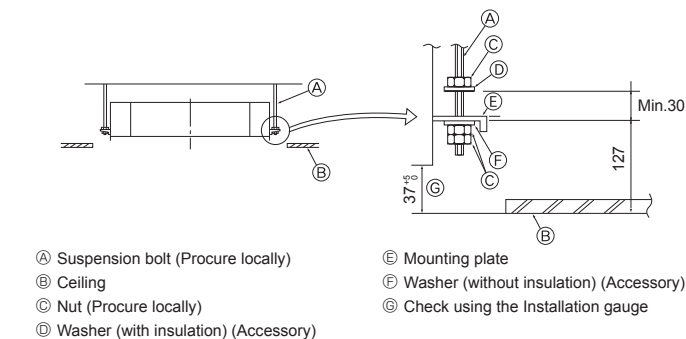


Fig. 2-5

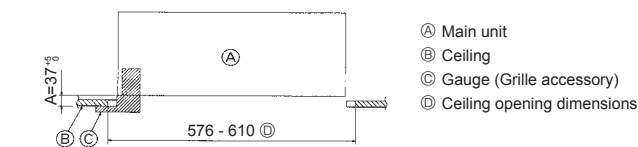


Fig. 2-6

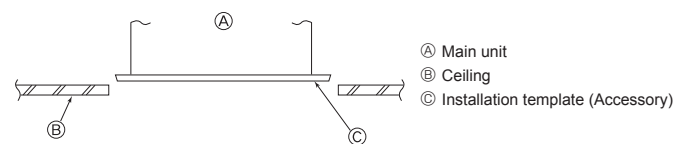


Fig. 2-7

2.4. Suspension structure (Give site of suspension strong structure) (Fig. 2-4)

The ceiling work differs according to the construction of the building. Building constructors and interior decorators should be consulted for details.

- (1) Extent of ceiling removal: The ceiling must be kept completely horizontal and the ceiling foundation (framework: wooden slats and slat holders) must be reinforced in order to protect the ceiling from vibration.
- (2) Cut and remove the ceiling foundation.
- (3) Reinforce the ends of the ceiling foundation where it has been cut and add ceiling foundation for securing the ends of the ceiling board.
- (4) When installing the unit on a slanting ceiling, interlock a pillow between the ceiling and the grille and set so that the unit is installed horizontally.

① Wooden structures

- Use tie beams (single storied houses) or second floor beams (two story houses) as reinforcing members.
- Wooden beams for suspending air conditioners must be sturdy and their sides must be at least 6 cm long if the beams are separated by not more than 90 cm and their sides must be at least 9 cm long if the beams are separated by as much as 180 cm. The size of the suspension bolts should be $\phi 10$ (3/8"). (The bolts do not come with the unit.)

② Ferro-concrete structures

Secure the suspension bolts using the method shown, or use steel or wooden hangers, etc. to install the suspension bolts.

2.5. Unit suspension procedures (Fig. 2-5)

Suspend the main unit as shown in the diagram.

1. In advance, set the parts onto the suspension bolts in the order of the washers (with insulation), washers (without insulation) and nuts (double).
 - Fit the washer with cushion so that the insulation faces downward.
 - In case of using upper washers to suspend the main unit, the lower washers (with insulation) and nuts (double) are to be set later.
2. Lift the unit to the proper height of the suspension bolts to insert the mounting plate between washers and then fasten it securely.
3. When the main unit can not be aligned against the mounting hole on the ceiling, it is adjustable owing to a slot provided on the mounting plate. (Fig. 2-6)
 - Make sure that step A is performed within 37-42 mm. Damage could result by failing to adhere to this range.

2.6. Confirming the position of main unit and tightening the suspension bolts (Fig. 2-7)

- Using the gauge attached to the grille, ensure that the bottom of the main unit is properly aligned with the opening of the ceiling. Be sure to confirm this, otherwise condensation may form and drip due to air leakage etc.
- Confirm that the main unit is horizontally levelled, using a level or a vinyl tube filled with water.
- After checking the position of the main unit, tighten the nuts of the suspension bolts securely to fasten the main unit.
- The installation template can be used as a protective sheet to prevent dust from entering the main unit when the grilles are left unattached for a while or when the ceiling materials are to be lined after installation of the unit is finished.
- * As for the details of fitting, refer to the instructions given on the Installation template.

3. Refrigerant pipe and drain pipe

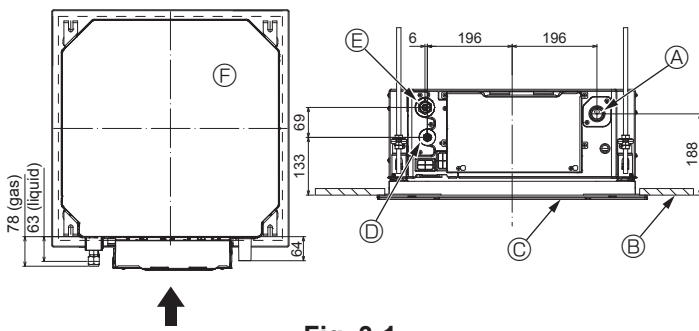


Fig. 3-1

3.1. Refrigerant and drainage piping locations of indoor unit (Fig. 3-1)

- Ⓐ Drain pipe
- Ⓑ Ceiling
- Ⓒ Grille
- Ⓓ Refrigerant pipe (liquid)
- Ⓔ Refrigerant pipe (gas)
- Ⓕ Main unit

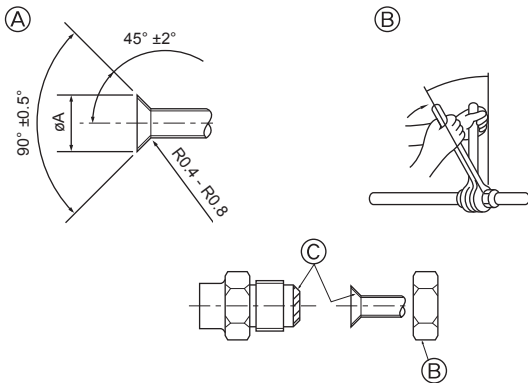


Fig. 3-2

3.2. Connecting pipes (Fig. 3-2)

- When commercially available copper pipes are used, wrap liquid and gas pipes with commercially available insulation materials (heat-resistant to 100 °C or more, thickness of 12 mm or more).
- The indoor parts of the drain pipe should be wrapped with polyethylene foam insulation materials (specific gravity of 0.03, thickness of 9 mm or more).
- Apply thin layer of refrigerant oil to pipe and joint seating surface before tightening flare nut.
- Use two wrenches to tighten piping connections.
- Use refrigerant piping insulation provided to insulate indoor unit connections. Insulate carefully.

⚠ Warning:

When installing the unit, securely connect the refrigerant pipes before starting the compressor.

- Ⓐ Flare cutting dimensions

Copper pipe O.D. (mm)	Flare dimensions øA dimensions (mm)
ø6.35	8.7 - 9.1
ø9.52	12.8 - 13.2
ø12.7	16.2 - 16.6
ø15.88	19.3 - 19.7
ø19.05	22.9 - 23.3

Ⓑ Refrigerant pipe sizes & Flare nut tightening torque

	R410A				Flare nut O.D.	
	Liquid pipe		Gas pipe		Liquid pipe (mm)	Gas pipe (mm)
	Pipe size (mm)	Tightening torque (N·m)	Pipe size (mm)	Tightening torque (N·m)		
P15/20/25/32/40	ODø6.35 (1/4")	14 - 18	ODø12.7 (1/2")	49 - 61	17	26
P50	ODø6.35 (1/4")	14 - 18	ODø12.7 (1/2")	49 - 61	17	26
P63/80	ODø9.52 (3/8")	34 - 42	ODø15.88 (5/8")	68 - 82	22	29
P100/125	ODø9.52 (3/8")	34 - 42	ODø15.88 (5/8")	68 - 82	22	29

* Connect the joint with the following pipes: Liquid and gas pipes of P50, gas pipes of P100/P125.

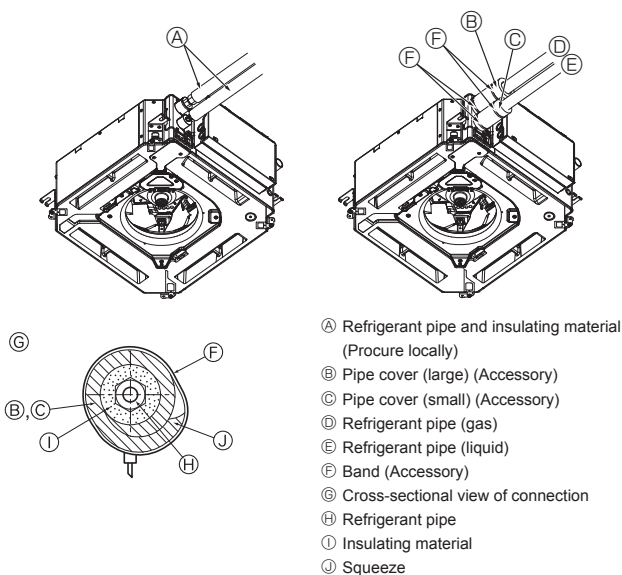


Fig. 3-3

- Ⓒ Apply refrigerating machine oil over the entire flare seat surface.

3.3. Indoor unit (Fig. 3-3)

Heat insulation for refrigerant pipes:

- ① Wrap the enclosed large-sized pipe cover around the gas pipe, making sure that the end of the pipe cover touches the side of the unit.
 - ② Wrap the enclosed small-sized pipe cover around the liquid pipe, making sure that the end of the pipe cover touches the side of the unit.
 - ③ Secure both ends of each pipe cover with the enclosed bands. (Attach the bands 20 mm from the ends of the pipe cover.)
Make sure that the slit in the pipe cover is facing upward when it is installed.
- After connecting the refrigerant piping to the indoor unit, be sure to test the pipe connections for gas leakage with nitrogen gas. (Check that there is no refrigerant leakage from the refrigerant piping to the indoor unit.)

3. Refrigerant pipe and drain pipe

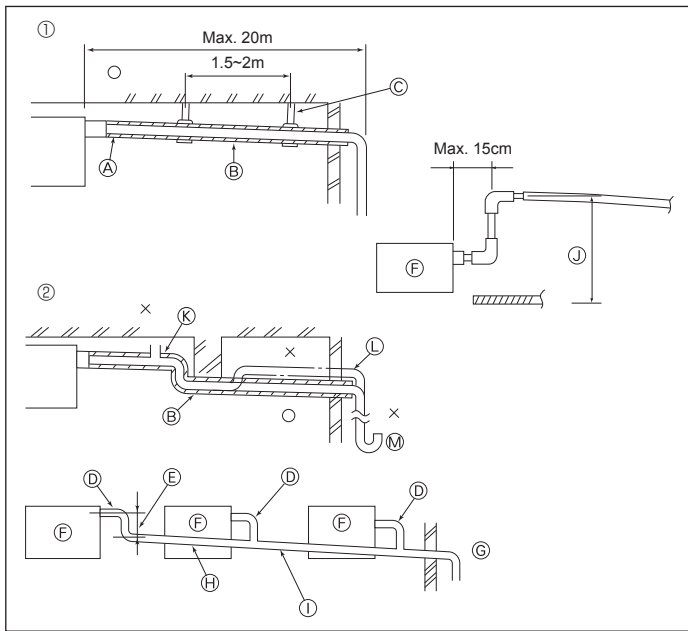


Fig. 3-4

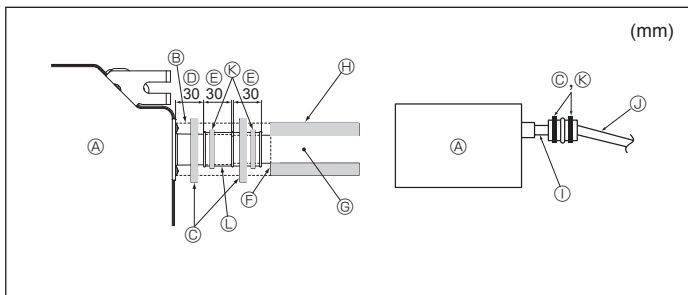


Fig. 3-5

4. Electrical work

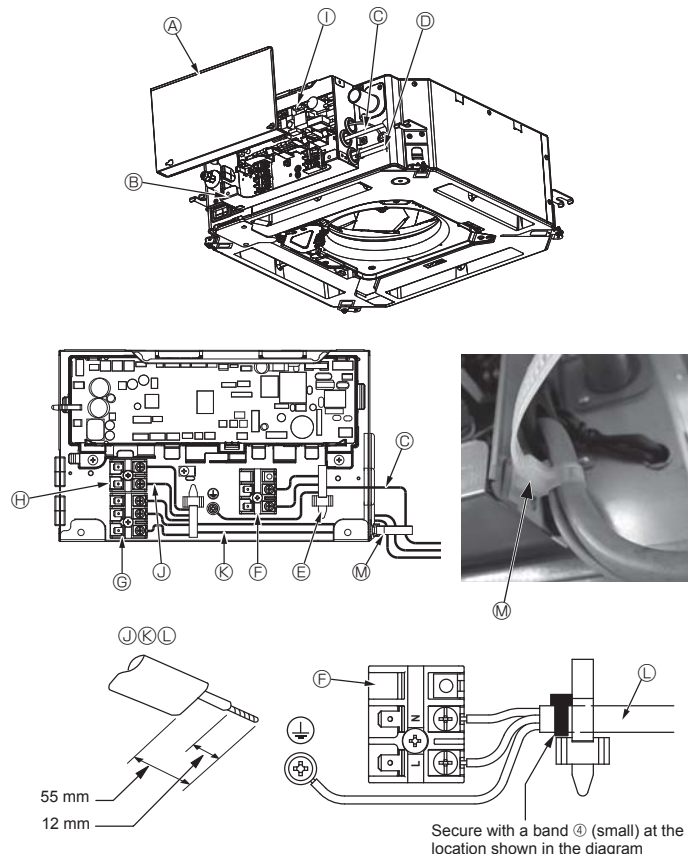


Fig. 4-1

3.4. Drainage piping work (Fig. 3-4)

- Use VP25 (O.D. ø32 (1-1/4") PVC TUBE) for drain piping and provide 1/100 or more downward slope.
- Be sure to connect the piping joints using a polyvinyl type adhesive.
- Observe the figure for piping work.
- Use the included drain hose to change the extraction direction.

- ① Correct piping
- ② Wrong piping
- Ⓐ Insulation (9 mm or more)
- Ⓔ Downward slope (1/100 or more)
- Ⓒ Support metal
- Ⓚ Air bleeder
- Ⓛ Raised
- Ⓜ Odor trap

Grouped piping

- Ⓓ O.D. ø32 PVC TUBE
- Ⓕ Make it as large as possible
- Ⓕ Indoor unit
- Ⓖ Make the piping size large for grouped piping.
- Ⓗ Downward slope (1/100 or more)
- ① O.D. ø38 PVC TUBE for grouped piping. (9 mm or more insulation)
- Ⓙ Up to 850 mm

1. Connect the drain socket (supplied with the unit) to the drain port. (Fig. 3-5) (Affix the tube using PVC adhesive then secure it with a band.)
2. Install a locally purchased drain pipe (PVC pipe, O.D. ø32). (Affix the pipe using PVC adhesive then secure it with a band.)
3. Insulate the tube and pipe. (PVC pipe, O.D. ø32 and socket)
4. Check that drain flows smoothly.
5. Insulate the drain port with insulating material, then secure the material with a band. (Both insulating material and band are supplied with the unit.)

- Ⓐ Unit
- Ⓑ Insulating material
- Ⓒ Band (large)
- Ⓓ Drain port (transparent)
- Ⓔ Insertion margin
- Ⓕ Matching
- Ⓖ Drain pipe (O.D. ø32 PVC TUBE)
- Ⓗ Insulating material (purchased locally)
- ① Transparent PVC pipe
- Ⓛ O.D. ø32 PVC TUBE (Slope 1/100 or more)
- Ⓚ Band (middle)
- Ⓛ Drain socket

4.1. Indoor unit (Fig. 4-1, Fig. 4-2, Fig. 4-3)

1. Remove 2 screws to detach the electric component cover.
 2. Route each cable through the wiring intake into the electric component box. (Procure power supply cable and control cable locally.)
 3. Securely connect the power supply cable and control cable to the terminal blocks.
 4. Secure the cables with clamps outside the electric component box.
 5. Attach the electric component cover as it was.
- Do not allow slackening of the terminal screws.
 - Always install earth.
- (Earth cable dia: Thicker than 1.6 mm)
- Fix power supply cable and control cable to electric component box by using buffer bushing for tensile force. (PG connection or the like.)

- Ⓐ Electric component cover
- Ⓑ Electric component box
- Ⓒ Entry for power supply cable
- Ⓓ Entry for remote control cable and transmission cable
- Ⓔ Cable clamp
- Ⓕ Power supply terminals (L, N)
- Ⓖ Transmission terminals (M1, M2, S)
- Ⓗ MA Remote controller terminal (1, 2)
- ① Indoor controller
- Ⓛ Remote control cable
- Ⓚ Transmission cable
- Ⓛ Power supply cable
- Ⓜ Cable strap

4. Electrical work

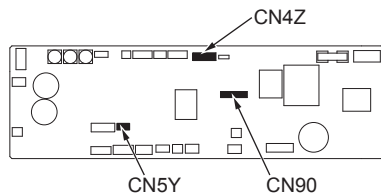


Fig. 4-2

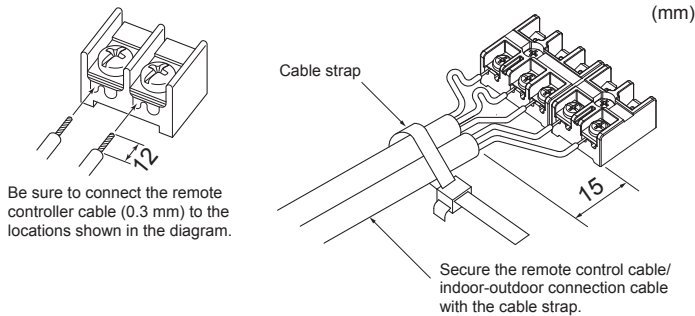


Fig. 4-3

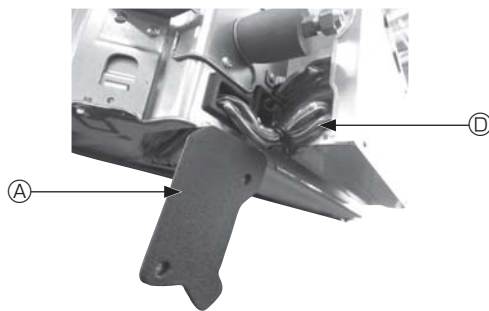


Fig. 4-4

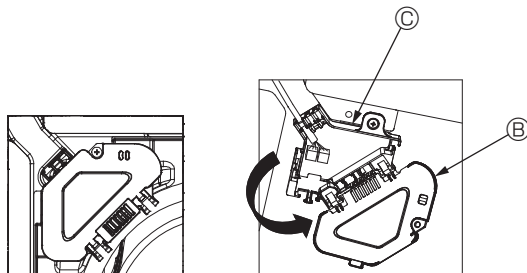


Fig. 4-5

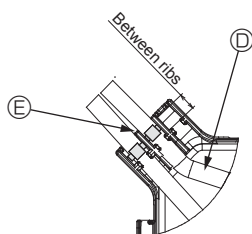


Fig. 4-6

⚠ Caution:

- Before installing the grille, make sure that the junction cable is connected.
- If the grille has signal receiver or i-see sensor, the pack of grille includes junction cables.

- When using the panel with wireless signal receiver or i-see sensor, install wireless junction cable for connecting with the cable from the panel through the following steps before installing the main unit.

Signal receiver: CN90

i-see sensor: CN5Y

i-see sensor motor: CN4Z

⚠ Warning:

- Insert hook the electric component cover into the bent support on the electric component box and attach the cover securely. If it is attached incorrectly, it could result in a fire, electric shock due to dust, water, etc.
- Use the specified indoor/outdoor unit connecting cable to connect the indoor and outdoor units and fix the cable to the terminal block securely so that no stress is applied to the connecting section of the terminal block. Incomplete connection or fixing of the cable could result in a fire.

4.1.1. Installing the i-See sensor and signal receiver

Before installing the grille, connect the junction wires included with the grille accessories and place them in the connector box.

- ① Remove the two screws securing the wire cover of the main unit, and then open the cover.
 - ② Route the wires of the i-See sensor and signal receiver through the wire inlets in the electric component box as shown in the diagram and around the bushings on the side of the main unit. (Fig. 4-4)
- When routing the wires, open the clamp securing the grille junction wire, and then secure the grille junction wire and the wires of the i-See sensor and signal receiver with the clamp.
- ③ Remove the one screw securing the connector box cover, and then open the cover. (Fig. 4-5)
 - ④ Place the junction wire connector in the connector box.
 - ⑤ Install the wire cover and connector box cover.

⚠ Caution:

When installing the covers, make sure that the wires do not get pinched. Fit the band securing the junction wires between the ribs on the connector box as shown in the diagram. (Fig. 4-6)

- Ⓐ Wire cover
- Ⓑ Connector box cover
- Ⓒ Connector box
- Ⓓ I-See sensor or signal receiver lead wire (Grille accessory)
- Ⓔ Band

4. Electrical work

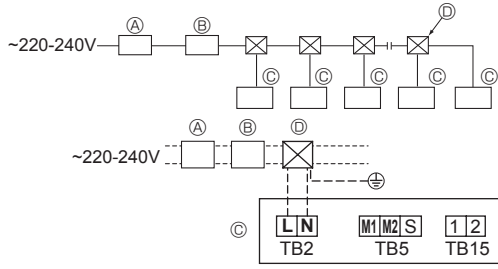


Fig. 4-7

4.2. Power supply wiring

- Wiring size must comply with the applicable local and national codes.
- Power supply cable of appliance shall not be lighter than design 245 IEC 53 or 227 IEC 53, 245 IEC 53 or 227 IEC 53.
- Install an earth line longer than other cables.
- A switch with at least 3 mm, 1/8 inch contact separation in each pole shall be provided by the air conditioner installation.

[Fig.4-7]

- Ⓐ Ground-fault interrupter
- Ⓑ Local switch/Wiring breaker
- Ⓒ Indoor unit
- Ⓓ Pull box

⚠ Warning:

Never splice the power cable or the indoor-outdoor connection cable, otherwise it may result in a smoke, a fire or communication failure.

Total operating current of the indoor unit	Minimum wire thickness (mm ²)			Ground-fault interrupter *1	Local switch (A)		Breaker for wiring (NFB)
	Main cable	Branch	Ground		Capacity	Fuse	
F0 = 16 A or less *2	1.5	1.5	1.5	20 A current sensitivity *3	16	16	20
F0 = 25 A or less *2	2.5	2.5	2.5	30 A current sensitivity *3	25	25	30
F0 = 32 A or less *2	4.0	4.0	4.0	40 A current sensitivity *3	32	32	40

Apply to IEC61000-3-3 about max. permissive system impedance.

*1 The Ground-fault interrupter should support inverter circuit.

The Ground-fault interrupter should combine using of local switch or wiring breaker.

*2 Please take the larger of F1 or F2 as the value for F0.

F1 = Total operating maximum current of the indoor units × 1.2

F2 = {V1 × (Quantity of Type1)/C} + {V1 × (Quantity of Type2)/C} + {V1 × (Quantity of Type3)/C} + {V1 × (Quantity of Others)/C}

Indoor unit	V1	V2
Type 1 PLFY-VBM, PMFY-VBM, PEFY-VMS, PCFY-VKM, PKFY-VHM, PKFY-VKM, PLFY-VFM	19.8	2.4
Type 2 PEFY-VMA	38	1.6
Type 3 PEFY-VMHS	46.6	4.8
Others Other indoor unit	0	0

C : Multiple of tripping current at tripping time 0.01 s

Please pick up "C" from the tripping characteristic of the breaker.

<Example of "F2" calculation>

*Condition PEFY-VMS × 4 + PEFY-VMA × 1, C = 8 (refer to right sample chart)

$$F2 = 19.8 \times 4/8 + 38 \times 1/8$$

$$= 14.65$$

→ 16 A breaker (Tripping current = 8 × 16 A at 0.01 s)

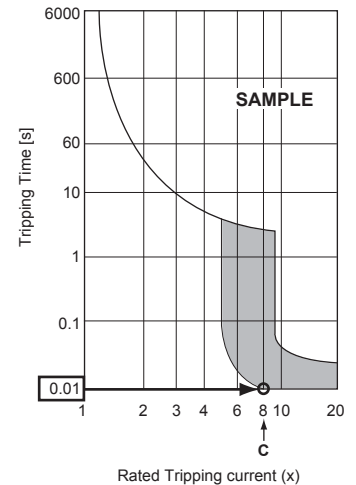
*3 Current sensitivity is calculated using the following formula.

$$G1 = V2 \times (\text{Quantity of Type1}) + V2 \times (\text{Quantity of Type2}) + V2 \times (\text{Quantity of Type3}) + V2 \times (\text{Quantity of Others}) + V3 \times (\text{Wire length[km]})$$

G1	Current sensitivity
30 or less	30 mA 0.1 sec or less
100 or less	100 mA 0.1 sec or less

Wire thickness	V3
1.5 mm ²	48
2.5 mm ²	56
4.0 mm ²	66

Sample chart



4. Electrical work

4.3. Types of control cables

1. Wiring transmission cables

Types of transmission cable	Shielding wire CVVS or CPEVS
Cable diameter	More than 1.25 mm ²
Length	Less than 200 m

2. M-NET Remote control cables

Types of remote control cable	Shielding wire MVVS
Cable diameter	More than 0.5 to 1.25 mm ²
Length	Add any portion in excess of 10 m to within the longest allowable transmission cable length 200 m.

3. MA Remote control cables

Types of remote control cable	2-core cable (unshielded)
Cable diameter	0.3 to 1.25 mm ²
Length	Less than 200 m

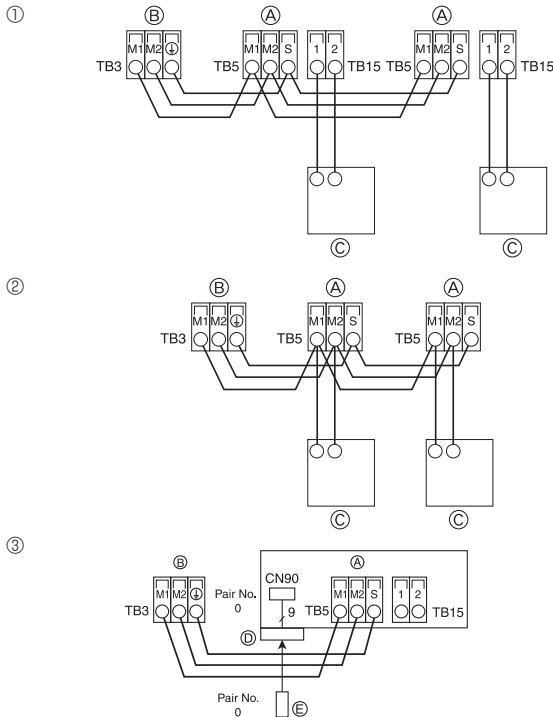


Fig. 4-8

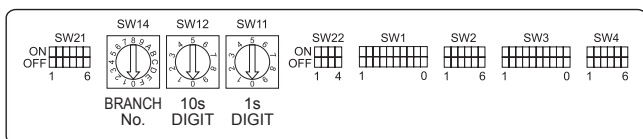


Fig. 4-9

4.4. Connecting remote controller, indoor and outdoor transmission cables (Fig. 4-8)

- Connect indoor unit TB5 and outdoor unit TB3. (Non-polarized 2-wire) The "S" on indoor unit TB5 is a shielding wire connection. For specifications about the connecting cables, refer to the outdoor unit installation manual.
- Install a remote controller following the manual supplied with the remote controller.
- Connect the remote controller's transmission cable within 10 m using a 0.75 mm² core cable. If the distance is more than 10 m, use a 1.25 mm² junction cable.

① MA Remote controller

- Connect the "1" and "2" on indoor unit TB15 to a MA remote controller. (Non-polarized 2-wire)

- DC 9 to 13 V between 1 and 2 (MA remote controller)

② M-NET Remote controller

- Connect the "M1" and "M2" on indoor unit TB5 to a M-NET remote controller. (Nonpolarized 2-wire)

- DC 24 to 30 V between M1 and M2 (M-NET remote controller)

③ Wireless remote controller (When installing wireless signal receiver)

- Connect the wire of wireless signal receiver (9-pole cable) to CN90 of indoor controller board.

- To change Pair No. setting, refer to installation manual attached to wireless remote controller. (In the default setting of indoor unit and wireless remote controller, Pair No. is 0.)

Ⓐ Terminal block for indoor transmission cable

Ⓑ Terminal block for outdoor transmission cable (M1(A), M2(B), ⊕(S))

Ⓒ Remote controller

Ⓓ Wireless signal receiver

Ⓔ Wireless remote controller

4.5. Setting addresses (Fig. 4-9)

(Be sure to operate with the main power turned OFF.)

- There are two types of rotary switch setting available: setting addresses 1 to 9 and over 10, and setting branch numbers.

① How to set addresses

Example: If Address is "3", remain SW12 (for over 10) at "0", and match SW11 (for 1 to 9) with "3".

② How to set branch numbers SW14 (Series R2 only)

Match the indoor unit's refrigerant pipe with the BC controller's end connection number.

Remain other than series R2 at "0".

- The rotary switches are all set to "0" when shipped from the factory. These switches can be used to set unit addresses and branch numbers at will.

- The determination of indoor unit addresses varies with the system at site. Set them referring to the Data Book.

4.6. Sensing room temperature with the built-in sensor in a remote controller

If you want to sense room temperature with the built-in sensor in a remote controller, set SW1-1 on the control board to "ON". The setting of SW1-7 and SW1-8 as necessary also makes it possible to adjust the air flow at a time when the heating thermometer is OFF.

4. Electrical work

4.7. Switch setting for high ceiling

With this unit, the air flow rate and fan speed can be adjusted by setting the SW21-1 and SW21-2. Select a suitable setting from the table below according to the installation location.

* Make sure the SW21-1 and SW21-2 switch are set, otherwise problems such as not getting cool/warm may occur.

	SW21-1	SW21-2	Height
Silent	–	ON	2.5 m
Standard	OFF	OFF	2.7 m : default setting
High ceiling	ON	OFF	3.0 m

4.8. Switch setting for i-See sensor

With i-See sensor panel, SW3-4 must be adjusted as a position of i-See sensor. (Refer to page 15.)

	SW3-4	
Position ①	OFF	"□" stamp position
Position ③	ON	"○" stamp position : default setting

4.9. Switch setting for horizontal airflow direction

The angle of the horizontal airflow direction can be changed using SW3-5.

	SW3-5
Draft-less (default)	OFF
Downward setting	ON

4.10. Electrical characteristics

Symbols: MCA: Max. Circuit Amps (= 1.25×FLA) FLA: Full Load Amps
IFM: Indoor Fan Motor Output: Fan motor rated output

Model	Power supply		IFM		
	Volts/ Hz	Range +/- 10%	MCA (A)	Output (kW)	FLA (A)
PLFY-P15VFM-E1	220-240V / 50Hz 220V / 60Hz	Max.: 264V Min.: 198V	0.24	0.05	0.19
PLFY-P20VFM-E1			0.26	0.05	0.21
PLFY-P25VFM-E1			0.28	0.05	0.22
PLFY-P32VFM-E1			0.29	0.05	0.23
PLFY-P40VFM-E1			0.35	0.05	0.28
PLFY-P50VFM-E1			0.50	0.05	0.40

4.11. How to set the fixed up/down air direction (Only for wired remote controller)

- For PLY-FM, only the particular outlet can be fixed to certain direction with the procedures below. Once fixed, only the set outlet is fixed every time air conditioner is turned on. (Other outlets follow UP/DOWN air direction setting of the remote controller.)

■ Explanation of word

- "Address No. of indoor unit" is the number given to each air conditioner.
- "Outlet No." is the number given to each outlet of air conditioner. (Refer to the right.)
- "Up/Down air direction" is the direction (angle) to fix.

Horizontal airflow



Downward

Remote controller setting

The airflow direction of this outlet is controlled by the airflow direction setting of remote controller.

Fixed setting

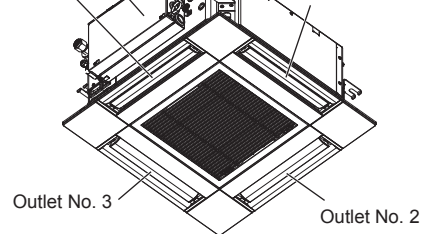
The airflow direction of this outlet is fixed in particular direction.

* When it is cold because of direct airflow, the airflow direction can be fixed horizontally to avoid direct airflow.

Electric component box

Outlet No. 4

Outlet No. 1

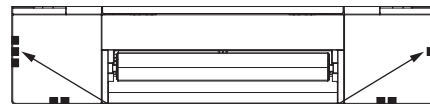


Outlet No. 3

Outlet No. 2

Note:

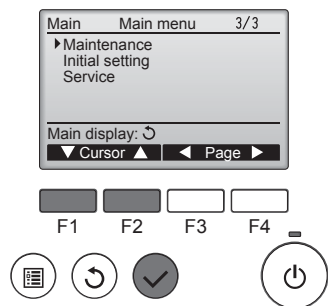
The outlet No. is indicated by the number of grooves on both ends of each air outlet. Set the air direction while checking the information shown on the remote controller display.



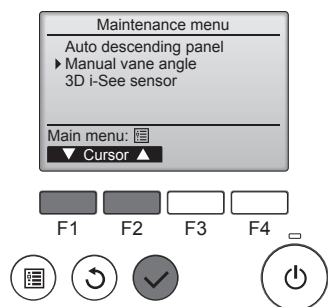
Air outlet identification marks

4. Electrical work

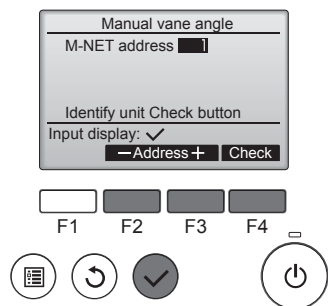
Manual vane angle



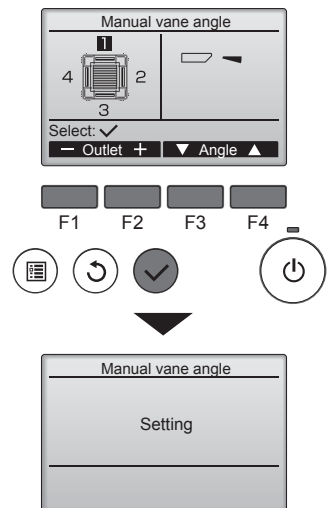
① Select "Maintenance" from the Main menu, and press the [SELECT] button.



② Select "Manual vane angle" with the [F1] or [F2] button, and press the [SELECT] button.



③ Select the "M-NET address" for the units to whose vanes are to be fixed, with the [F2] or [F3] button, and press the [SELECT] button. Press the [F4] button to confirm the unit. The vane of only the target indoor unit is pointing downward.



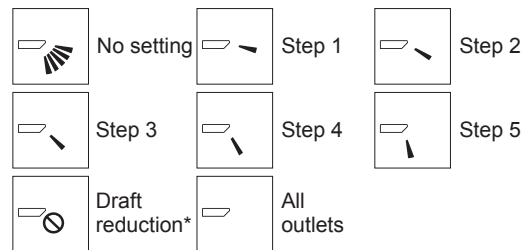
④ The current vane setting will appear.

Select the desired outlets from 1 through 4 with the [F1] or [F2] button.
 • Outlet: "1", "2", "3", "4" and "1, 2, 3, 4, (all outlets)"

Press the [F3] or [F4] button to go through the option in the order of "No setting (reset)," "Step 1", "Step 2", "Step 3", "Step 4", "Step 5" and "Draft reduction*".
 Select the desired setting.

* Draft reduction
 The airflow direction for this setting is more horizontal than the airflow direction for the "Step 1" setting in order to reduce a drafty feeling. The draft reduction can be set for only 1 vane.

Vane setting

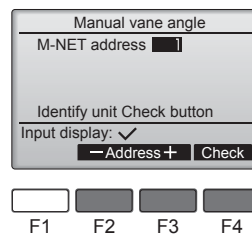


Press the [SELECT] button to save the settings. A screen will appear that indicates the setting information is being transmitted. The setting changes will be made to the selected outlet. The screen will automatically return to the one shown above (step 5) when the transmission is completed. Make the settings for other outlets, following the same procedures.

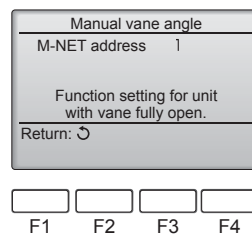
If all outlets are selected, will be displayed the next time the unit goes into operation.

Navigating through the screens
 • To go back to the Main menu[MENU] button
 • To return to the previous screen[RETURN] button

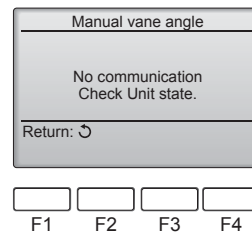
Confirmation procedure



① Select the "M-NET address" for the units to whose vanes are to be fixed, with the [F2] or [F3] button. Press the [F4] button to confirm the unit.



② After pressing the [F4] button, wait approximately 15 seconds, and then check the current state of the air conditioner.
 → The vane is pointing downward.
 → This air conditioner is displayed on the remote controller.
 → All outlets are closed. → Press the [RETURN] button and continue the operation from the beginning.



→ The messages shown to the left are displayed. → The target device does not exist at this refrigerant address.
 • Press the [RETURN] button to return to the initial screen.

③ Change the "M-NET address" to the next number.
 • Refer to step ① to change the "M-NET address" and continue with the confirmation.

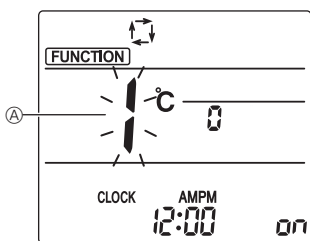
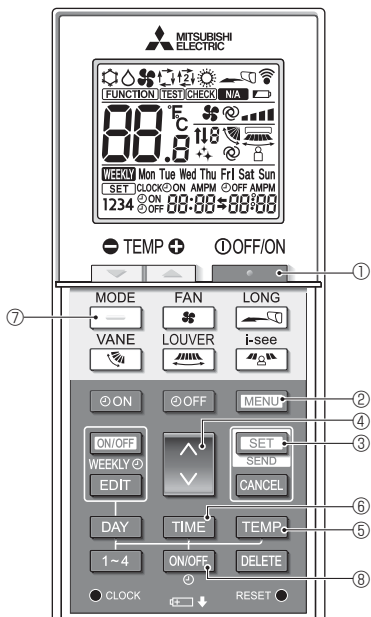


Fig. 4-10

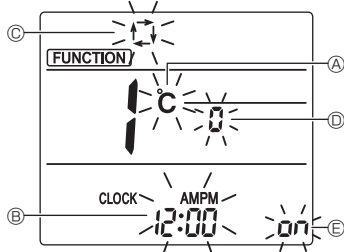


Fig. 4-11

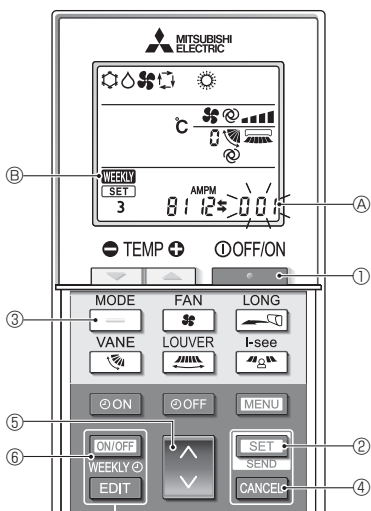


Fig. 4-12

4.12. Initial setting

The following settings can be made in the initial setting mode.

Item	Setting	Fig. 4-11
Temperature unit	°C/°F	Ⓐ
Time display	12-hour format/24-hour format	Ⓑ
AUTO mode	Single set point/Dual set point	Ⓒ
Pair No.	0-3	Ⓓ
Backlight	On/Off	Ⓔ

4.12.1. Switching to the initial setting mode

1. Press the **STOP** button ① to stop the air conditioner.
 2. Press the **MENU** button ②.
- The Function setting screen will be displayed and the function No. ① will flash. (Fig. 4-10)
3. Check that function No. "1" is displayed, and then press the **SET** button ③.
- The Screen display setting screen will be displayed. (Fig. 4-11)
- Press the **UP** button ④ to change the function No.

4.12.2. Changing the temperature unit (Fig. 4-11 Ⓐ)

- Press the **TEMP** button ⑤.
- Each time the **TEMP** button ⑤ is pressed, the setting switches between **°C** and **°F**.
- °C**: The temperature is displayed in degrees Celsius.
 - °F**: The temperature is displayed in degrees Fahrenheit.

4.12.3. Changing the time display (Fig. 4-11 Ⓑ)

- Press the **TIME** button ⑥.
- Each time the **TIME** button ⑥ is pressed, the setting switches between **12:00^{AMPM}** and **24:00^{AMPM}**.
- 12:00^{AMPM}**: The time is displayed in the 12-hour format.
 - 24:00^{AMPM}**: The time is displayed in the 24-hour format.

4.12.4. Changing the AUTO mode (Fig. 4-11 Ⓒ)

- Press the **MODE** button ⑦.
- Each time the **MODE** button ⑦ is pressed, the setting switches between **Ⓜ** and **ⓂⓂ**.
- Ⓜ**: The AUTO mode operates as the usual automatic mode.
 - ⓂⓂ**: The AUTO mode operates using dual set points.

4.12.5. Changing the pair No. (Fig. 4-11 Ⓓ)

- Press the **UP** button ④.
- Each time the **UP** button ④ is pressed, the pair No. 0-3 changes.

Pair No. of wireless remote controller	Indoor PC board SW22		
	SW22-3	SW22-4	
0	ON	ON	Initial setting
1	OFF	ON	
2	ON	OFF	
3	OFF	OFF	

4.12.6. Changing the backlight setting Ⓔ

- Press the **ON/OFF** button ⑧.
- Each time the **ON/OFF** button ⑧ is pressed, the setting switches between **ON** and **OFF**.
- ON**: The backlight comes on when a button is pressed.
 - OFF**: The backlight does not come on when a button is pressed.

4.12.7. Completing the setting

- Press the **SET** button ③.
- The function No. ① blinks (Fig. 4-10)
- Press the **MENU** button ②.
- The remote controller exits the initial setting mode. (The air conditioner operation is stopped.)

4.12.8. How to disable Auto mode operation (Fig. 4-12)

1. Press the **STOP** button ① to stop the air conditioner.
 - If the weekly timer is enabled, press the **ON/OFF WEEKLY** button ⑥ to disable the timer. (**WEEKLY** ⑩ disappears.)
2. Press the **SET** button ② for 5 seconds.
 - The unit enters the function setting mode. (The group model setting number ④ blinks.)
3. Press the **UP** button ④.
 - Enter the group model setting number to "066". (The factory setting is "002".)
4. Completing the settings (Fig. 4-12)
 - Press the **SET** button ② for 5 seconds.
 - The remote controller exits the function setting mode.

5. Installing the grille

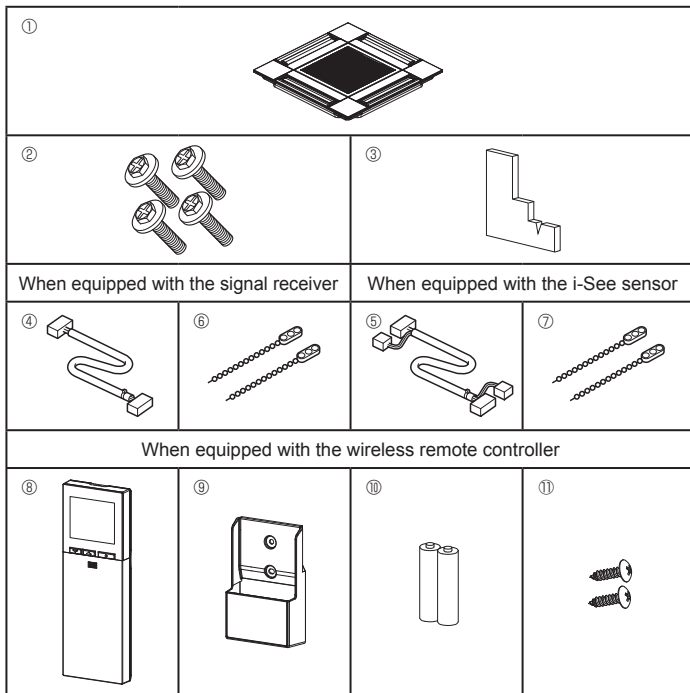


Fig. 5-1

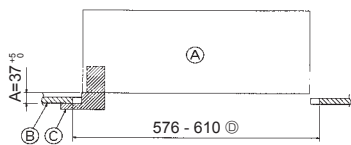


Fig. 5-2

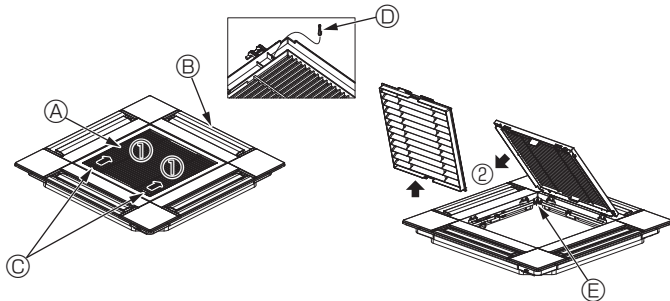


Fig. 5-3

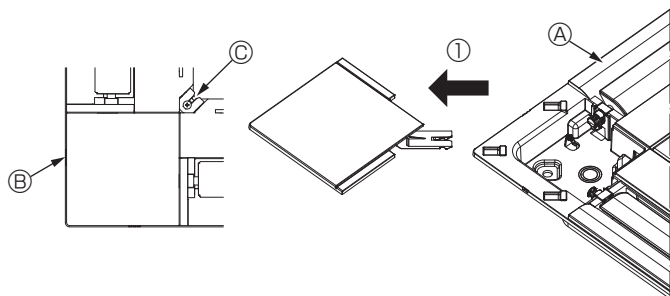


Fig. 5-4

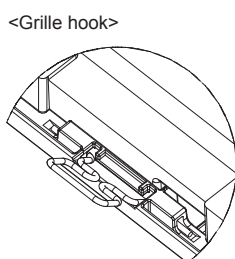


Fig. 5-5

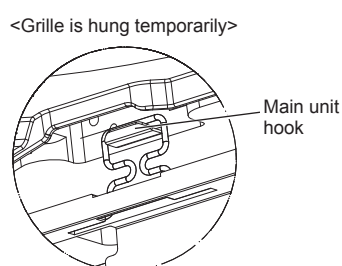


Fig. 5-6

5.1. Check the grille accessories (Fig. 5-1)

- The grille should be supplied with the following accessories.

	Accessory name	Q'ty	Remark
①	Grille	1	625 × 625 (mm)
②	Screw with washer	4	M5 × 0.8 × 28 (mm)
③	Gauge	1	
④	Junction wire for signal receiver	1	Included when equipped with the signal receiver.
⑤	Junction wire for i-See sensor	1	Included when equipped with the i-See sensor.
⑥	Fastener	2	Included when equipped with the signal receiver.
⑦	Fastener	2	Included when equipped with the i-See sensor.
⑧	Wireless remote controller	1	Included when equipped with the wireless remote controller.
⑨	Remote controller holder	1	Included when equipped with the wireless remote controller.
⑩	LR6 AA batteries	2	Included when equipped with the wireless remote controller.
⑪	3.5 × 16 tapping screws	2	Included when equipped with the wireless remote controller.

5.2. Preparing to attach the grille (Fig. 5-2)

- With the gauge supplied with this kit, adjust and check the positioning of the unit relative to the ceiling. If the unit is not properly positioned in the ceiling, there may be air leaks, condensation may form, or the up/down vanes may not operate correctly.
- Make sure that the opening in the ceiling is within the following tolerances: 576 × 576 - 610 × 610
- Make sure that step A is performed within 37-42 mm. Damage could result by failing to adhere to this range.
 - Ⓐ Main unit
 - Ⓑ Ceiling
 - Ⓒ Gauge (Accessory)
 - Ⓓ Ceiling opening dimensions

5.2.1. Removing the intake grille (Fig. 5-3)

- Slide the levers in the direction indicated by the arrow ① to open the intake grille.
- Unlatch the hook that secures the grille.
 - * Do not unlatch the hook for the intake grille.
- With the intake grille in the "open" position, remove the hinge of the intake grille from the grille as indicated by the arrow ②.
 - Ⓐ Intake grille
 - Ⓑ Grille
 - Ⓒ Intake grille levers

5.2.2. Removing the corner panel (Fig. 5-4)

- Remove the screw from the corner of the corner panel. Slide the corner panel as indicated by the arrow ① to remove the corner panel.
 - Ⓐ Grille
 - Ⓑ Corner panel
 - Ⓒ Screw
 - Ⓓ Grille hook
 - Ⓔ Hole for the grille's hook

5.3. Installing the grille

- Please pay attention because there is a restriction in the attachment position of the grille.

5.3.1. Temporarily installing the grille

Align the screw holes in the corners of the grille with the screw mounting holes in the corners of the main unit, latch the two hooks on the grille onto the drain pan projections on the main unit, and temporarily hang the grille. (Fig. 5-5, 5-6)

⚠ Caution:

When installing the i-See sensor and signal receiver, place the junction wires in the connector box before temporarily hanging the grille. Refer to 4.1.1. on page 7 to route the junction wires.

5. Installing the grille

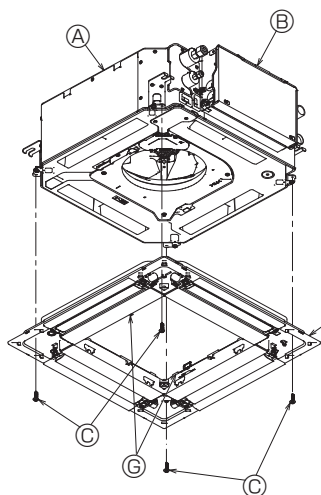


Fig. 5-7

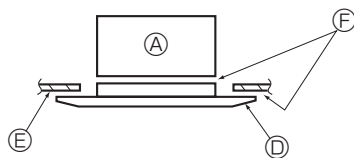


Fig. 5-8

5.3.2. Securing the grille

- Secure the grille by tightening the four screws. (Fig. 5-7)
- * Make sure that there are no gaps between the main unit and the grille or the grille and the ceiling. (Fig. 5-8)

- Ⓐ Main unit
- Ⓑ Electric component box
- Ⓒ Screw with washer (Accessory)
- Ⓓ Grille
- Ⓔ Ceiling
- Ⓕ Make sure that there are no gaps.
- Ⓖ Temporary hanging hooks on the panel

⚠ Caution:

When tightening the screw with captive washer Ⓒ, tighten it at a torque of 4.8 N·m or less. Never use an impact screwdriver.

It may result in parts damage.

- After tightening the screw, confirm that the two grille hooks (Fig. 5-6) are latched onto the hooks on the main unit.

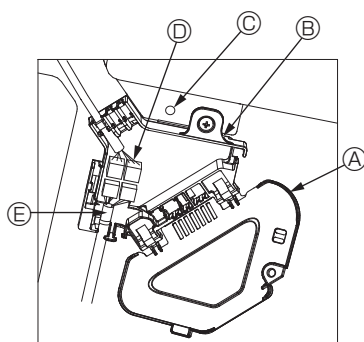


Fig. 5-9

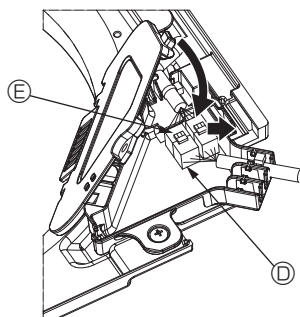


Fig. 5-10

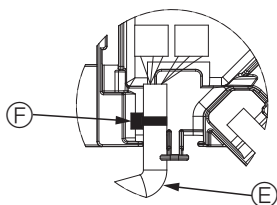


Fig. 5-11

5.3.3. Connecting the wires

- ① Remove the one screw securing the connector box cover, slide the cover in the direction indicated by the arrow as shown in the diagram, and then open the cover.
- ② In the connector box, locate the junction wire for the vane motor of the grille and the wire for the vane motor, and then connect the wires. (Fig. 5-9)
There are two vane motor connectors: one blue connector and one orange connector. Make sure that the connector colors match when connecting them.
- ③ After placing the wires in the connector box, close the connector box cover. Make sure that the wires do not get pinched. (Fig. 5-10)
When closing the connector box cover, slide the cover in the direction indicated by the arrow and make sure that the projection is firmly inserted.

- Ⓐ Connector box cover
- Ⓑ Connector box
- Ⓒ Securing screw
- Ⓓ Junction connector
- Ⓔ Wire connector for the vane motor
- Ⓕ Band

⚠ Caution:

- Place the band securing the panel vane motor wire in the connector box as shown in the diagram. (Fig. 5-11)
- When closing the connector box cover, make sure that the wires do not get pinched.

5. Installing the grille

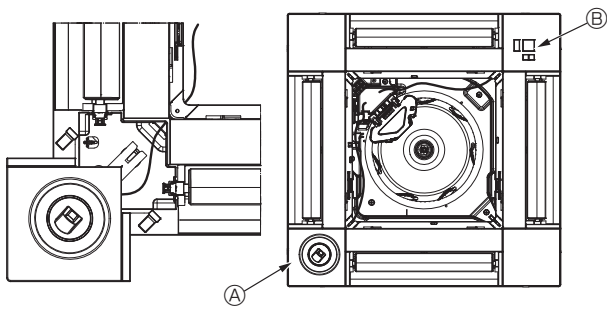


Fig. 5-12

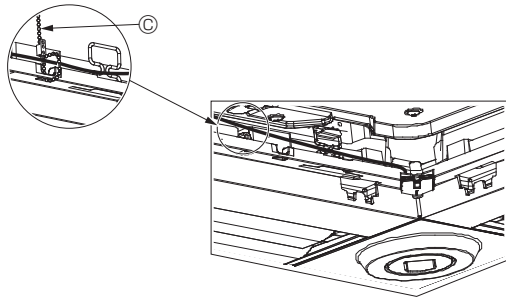


Fig. 5-13

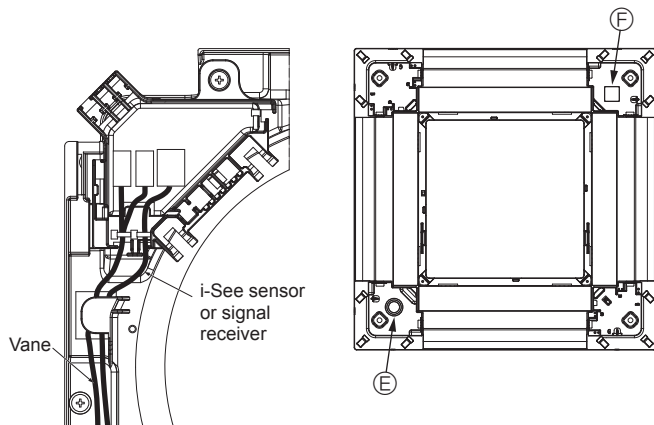


Fig. 5-14

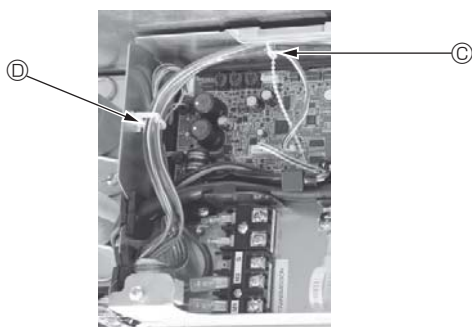


Fig. 5-15

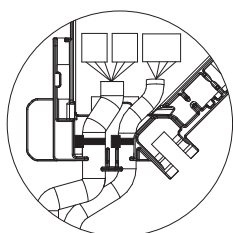


Fig. 5-16

5.3.4. Wiring the i-See sensor corner panel and signal receiver

- Install the i-See sensor and signal receiver at the corners of the panel at the locations stamped with "○" or "□". (The positions may be reversed.)
- Route the i-See sensor and signal receiver wires through the square holes at the corners of the panel and install them.
- Connect the junction wire connector and the wire connectors of the i-See sensor and signal receiver in the connector box.
- Close the connector box cover.
- Secure the i-See sensor and signal receiver wires to the panel with the fastener as shown in the diagram so that there is no slack in the wires, and then cut off the excess end of the fastener. (Fig. 5-13)
- Place the i-See sensor and signal receiver wires to the inside of the flange on the panel.
- If the position of the i-See sensor was changed from the "○" position (E) to the "□" position (F), change the switch settings. (Refer to page 10.)

⚠ Caution:

- Route the i-See sensor and signal receiver wires as shown in Fig. 5-14.
- Place the excess portions of the i-See sensor and signal receiver junction wires in the electric component box in the wire clip as shown in the diagram, and secure the wires together with the fastener. (Fig. 5-15)
- Make sure that the band securing the i-See sensor and signal receiver junction wires is positioned inside the connector box. (Fig. 5-16)
- If the vane motor connectors and signal receiver connector are connected incorrectly, the vanes will not move or communication with the remote controller will not be possible.

- Ⓐ i-See sensor
- Ⓑ Signal receiver
- Ⓒ Fastener
- Ⓓ Wire clip
- Ⓔ "○" stamp : default i-See sensor position
- Ⓕ "□" stamp : default signal receiver position

5. Installing the grille

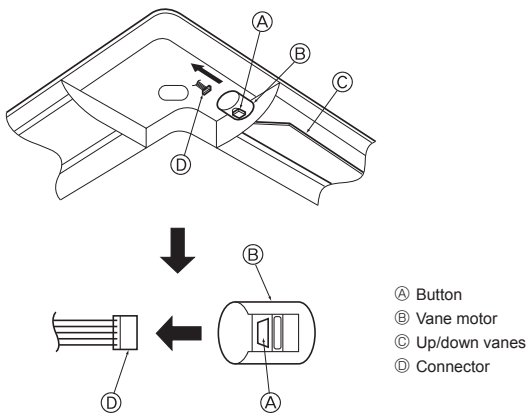
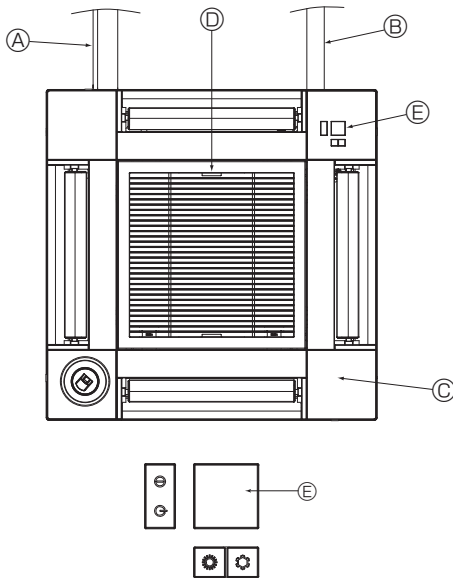


Fig. 5-17



Signal receiver

Fig. 5-18

5.4. Locking the up/down airflow direction (Fig. 5-17)

The vanes of the unit can be set and locked in up or down orientations depending upon the environment of use.

- Set according to the preference of the customer.

The operation of the fixed up/down vanes and all automatic controls cannot be performed using the remote controller. In addition, the actual position of the vanes may differ from the position indicated on the remote controller.

- ① Turn off the main power switch.
Injuries and or an electrical shock may occur while the fan of the unit is rotating.
- ② Disconnect the connector for the vane motor of the vent that you want to lock.
(While pressing the button, remove the connector in the direction indicated by the arrow as shown in the diagram.) After removing the connector, insulate it with tape.

⚠ Caution:

Do not set the up/down vanes passed the specified range. Condensation could form on and drop from the ceiling, or the unit could malfunction.

5.5. Installing the intake grille (Fig. 5-18)

- Perform the procedure that is described in "5.2. Preparing to attach the grille" in reverse order to install the intake grille and the corner panel.

Ⓐ Refrigerant piping of the main unit

Ⓑ Drain piping of the main unit

Ⓒ Corner panel

* Installation in any position is possible.

Ⓓ Position of the levers on the intake grille when sent from the factory.

* Although the clips can be installed in any of four positions.

Ⓔ Receiver (for SLP-2FAL*)

5.6. Check

- Make sure that there is no gap between the unit and the grille, or between the grille and the surface of the ceiling. If there is any gap between the unit and the grille, or between the grille and the surface of the ceiling, it may cause dew to collect.
- Make sure that the wires have been securely connected.
- Check that all four vanes move. If two or four vanes do not move, refer to 5.3. and check the connections.
- For 3D i-See sensor corner panel, check the rotating movement. If the 3D i-See sensor does not rotate, review the procedure in "5.3. Installing the grille".

6. Test run

6.1. Before test run

- ▶ After completing installation and the wiring and piping of the indoor and outdoor units, check for refrigerant leakage, looseness in the power supply or control wiring, wrong polarity, and no disconnection of one phase in the supply.
- ▶ Use a 500-volt megohmmeter to check that the resistance between the power supply terminals and ground is at least 1.0 MΩ.

- ▶ Do not carry out this test on the control wiring (low voltage circuit) terminals.

Warning:

Do not use the air conditioner if the insulation resistance is less than 1.0 MΩ.

Controller interface

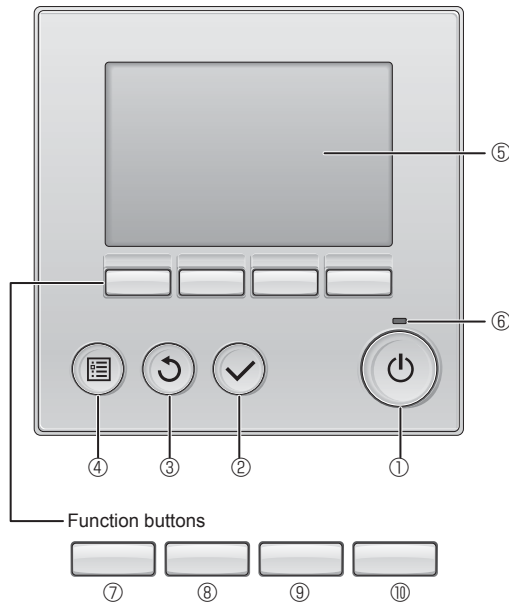


Fig. 6-1

6.2. Test run

The following 3 methods are available.

6.2.1. Using wired remote controller (Fig. 6-1)

① [ON/OFF] button

Press to turn ON/OFF the indoor unit.

② [SELECT] button

Press to save the setting.

③ [RETURN] button

Press to return to the previous screen.

④ [MENU] button

Press to bring up the Main menu.

⑤ Backlit LCD

Operation settings will appear.

When the backlight is off, pressing any button turns the backlight on and it will stay lit for a certain period of time depending on the screen.

When the backlight is off, pressing any button turns the backlight on and does not perform its function. (except for the [ON/OFF] button)

⑥ ON/OFF lamp

This lamp lights up in green while the unit is in operation. It blinks while the remote controller is starting up or when there is an error.

⑦ Function button [F1]

Main display: Press to change the operation mode.

Main menu: Press to move the cursor down.

⑧ Function button [F2]

Main display: Press to decrease temperature.

Main menu: Press to move the cursor up.

⑨ Function button [F3]

Main display: Press to increase temperature.

Main menu: Press to go to the previous page.

⑩ Function button [F4]

Main display: Press to change the fan speed.

Main menu: Press to go to the next page.

Step 1 Switch the remote controller to "Test run".

① Select "Service" from the Main menu, and press the [SELECT] button.

② When the Service menu is selected, a window will appear asking for the password. (Fig. 6-2)

To enter the current maintenance password (4 numerical digits), move the cursor to the digit you want to change with the [F1] or [F2] button, and set each number (0 through 9) with the [F3] or [F4] button. Then, press the [SELECT] button.

Note: The initial maintenance password is "9999". Change the default password as necessary to prevent unauthorized access. Have the password available for those who need it.

Note: If you forget your maintenance password, you can initialize the password to the default password "9999" by pressing and holding the [F1] and [F2] buttons simultaneously for three seconds on the maintenance password setting screen.

③ Select "Test run" with the [F1] or [F2] button, and press the [SELECT] button. (Fig. 6-3)

④ Select "Test run" with the [F1] or [F2] button, and press the [SELECT] button. (Fig. 6-4)

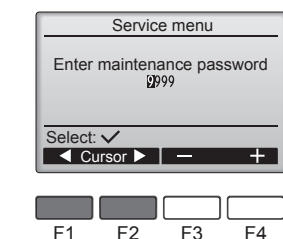


Fig. 6-2

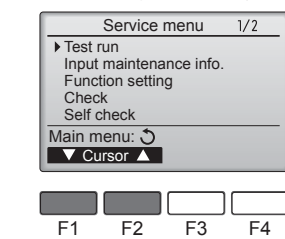


Fig. 6-3

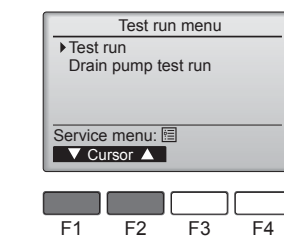


Fig. 6-4

6. Test run

Step 2 Perform the test run and check the airflow temperature and auto vane.

- Press the **F1** button to go through the operation modes in the order of "Cool" and "Heat". (Fig. 6-5)
Cool mode: Check the cold air blow off.
Heat mode: Check the heat blow off.
* Check the operation of the outdoor unit's fan.
- Press the **✓** button and open the Vane setting screen.
If the vanes do not move, check that the junction wire connectors are connected securely and the connector colors match.

AUTO vane check

- Check the auto vane with the **F1** **F2** buttons. (Fig. 6-6)
- Press the **↺** button to return to "Test run operation".
- Press the **⏻** button.

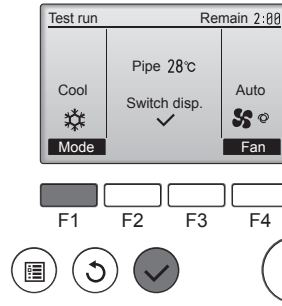


Fig. 6-5

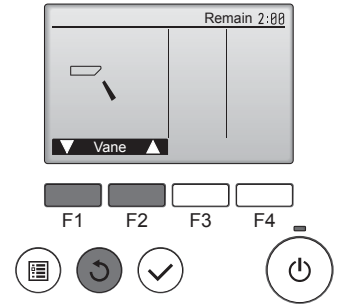


Fig. 6-6

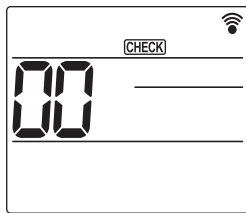


Fig. 6-7

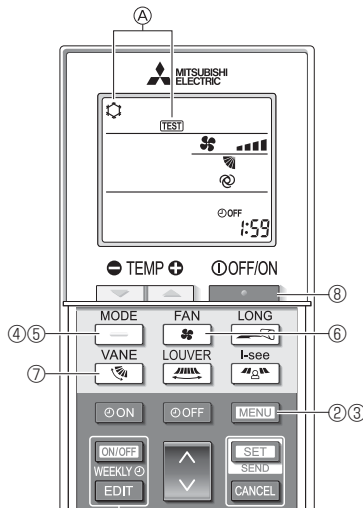
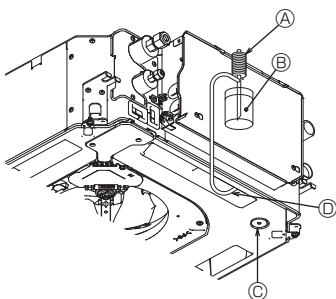


Fig. 6-8



- Ⓐ Water supply pump
- Ⓑ Water (about 1000 cc)
- Ⓒ Drain plug
- Ⓓ Pour water through outlet
- Be careful not to spray water into the drain pump mechanism.

Fig. 6-9

6.2.2. Using the wireless remote controller

- Turn on the power to the unit at least 12 hours before the test run.
- Press the **MENU** button for 5 seconds. (Fig. 6-7)
(Perform this operation when the remote controller display is turned off.)
- Press the **MENU** button.
Ⓐ [TEST] and the current operation mode are displayed. (Fig. 6-8)
- Press the **—** button to activate cool mode, then check whether cool air is blown out from the unit.
- Press the **—** button to activate heat mode, then check whether warm air is blown out from the unit.
- Press the **⚙** button and check whether the fan speed changes.
- Press the **🌀** button and check whether the auto vane operates properly.
- Press the **⏻** button to stop the test run.
(After two hours, a signal will be sent to stop the test run.)

Note:

- Point the remote controller towards the indoor unit receiver while following steps ③ to ⑧.
- It is not possible to perform the test run in FAN, DRY, or AUTO mode.

6.3. Check of drainage (Fig. 6-9)

- Ensure that the water is being properly drained out and that no water is leaking from joints.

When electric work is completed.

- Pour water during cooling operation and check.

When electric work is not completed.

- Pour water during emergency operation and check.

* Drain pan and fan are activated simultaneously when single phase 220-240V is turned on to L and N on terminal block after the connector (SWE) on controller board in the electrical branch box is set to ON.

Be sure to turn it back to the former state after work.

Содержание

1. Меры предосторожности.....	189	4. Электромонтажные работы	193
2. Установка внутреннего блока	189	5. Установка решетки	200
3. Трубопровод хладагента и дренажная труба	192	6. Тестовый прогон	204

Примечание.

Фраза “Проводной пульт дистанционного управления” в данном руководстве по установке относится к PAR-32MAA.

Если вам нужна какая-либо информация о других пультах дистанционного управления, см. руководство по установке или руководство по первоначальной настройке, которые входят в комплект поставки.

1. Меры предосторожности

- ▶ **Перед установкой блока ознакомьтесь с полным текстом “Меры предосторожности”.**
- ▶ **Перед подключением оборудования к системе питания информируйте об этом вашу энергоснабжающую организацию или получите ее согласие.**

⚠ Предупреждение:

Описаны меры предосторожности, которые необходимо соблюдать для предотвращения травмирования или смерти пользователя.

⚠ Осторожно:

Описаны меры предосторожности, которые необходимо соблюдать для предотвращения поломки оборудования.

После завершения монтажных работ объясните заказчику меры предосторожности, правила использования и обслуживания блока согласно информации, приведенной в руководстве по эксплуатации, и проведите тестовый прогон для обеспечения нормальной работы. Руководство по установке и эксплуатации должны храниться у пользователя. Эти руководства необходимо передать следующим пользователям.

⚠ Предупреждение:

- Обратитесь к дилеру или сертифицированному технику за установкой кондиционера.
- Пользователь не должен пытаться ремонтировать блок или переносить его в другое место самостоятельно.
- Установите блок в месте, которое может выдержать его вес.
- Для электропроводки используйте только указанный тип кабеля. Соединения проводки должны быть выполнены надежно, без применения усилия на клеммных соединениях. Кроме того, никогда не сращивайте кабель для проводки (если иное не указано в этом документе).
- Игнорирование этих требований может привести к перегреву или пожару.
- Используйте только те аксессуары, которые разрешены к использованию компанией Mitsubishi Electric, и обратитесь к дилеру или сертифицированному технику для их установки.
- Не прикасайтесь к ребрам теплообменника.
- Установите кондиционер с соблюдением указаний настоящего руководства по установке.
- Все электромонтажные работы должен выполнять лицензированный электрик с соблюдением местных нормативов.
- Данное устройство необходимо устанавливать в соответствии с национальными правилами устройства электроустановок.

⚠ Осторожно:

- Не следует использовать существующий трубопровод хладагента.
- Используйте синтетическое масло или алкилбензол (небольшое количество) в качестве охлаждающего масла для покрытия конусных гаек и фланцевых соединений.
- Не используйте кондиционер в местах хранения еды, обитания домашних животных, растений, хранения произведений искусства.
- Не используйте кондиционер в специализированных средах.
- Заземлите блок.
- Установите прерыватель в цепи утечки согласно требованиям.
- Используйте кабельную линию электропередачи с достаточной нагрузочной способностью по току и номинальной мощностью.

- ⊘ : Указывает действия, которых следует избегать.
- ⚠ : Указывает, что необходимо соблюдать важные инструкции.
- ⚡ : Указывает на элемент, который должен быть заземлен.
- ⚠ : Указывает, что следует проявлять осторожность с вращающимися компонентами.
- ⚠ : Указывает, что главный выключатель должен быть отключен перед обслуживанием.
- ⚠ : Остерегайтесь поражения электрическим током.
- ⚠ : Остерегайтесь горячей поверхности.
- ⚠ ELV : Во время обслуживания отключайте питание внутреннего и наружного блоков.

⚠ Предупреждение:

Внимательно читайте этикетки на основном блоке.

Установите внутренний блок на высоте минимум 2,5 м над уровнем пола или поверхности.

Общий доступ к приборам ограничен.

- При наличии повреждения в шнуре питания его следует заменить у производителя, или его сервисного представителя, или у лица аналогичной квалификации во избежание опасной ситуации.
 - Если кондиционер установлен в небольшом помещении, необходимо принять меры для предотвращения концентрации хладагента, превышающей безопасные пределы в случае его утечки.
 - О поверхность вырезанных элементов можно порезаться. Потому монтажникам рекомендуется носить защитное снаряжение, например перчатки и т.д.
 - При установке, перемещении или сервисном обслуживании кондиционера для заправки трубопроводов хладагента используйте только указанный хладагент (R410A). Не допускается его смешивание с другим хладагентом или наличие воздуха в трубопроводах.
 - При смешивании воздуха с хладагентом может произойти чрезмерное повышение давления в трубопроводе хладагента, что способно вызывать взрыв или другие нештатные ситуации.
- Использование любого иного хладагента, кроме указанного для системы, приведет к механическому отказу, неисправности системы или поломке прибора. В худшем случае это может привести к серьезному препятствию для обеспечения безопасности изделия.

- Используйте автоматический выключатель и плавкий предохранитель только указанной емкости.
- Запрещается прикасаться к выключателям мокрыми руками.
- Не прикасайтесь к трубам хладагента во время и сразу после эксплуатации.
- Не включайте кондиционер при снятых панелях и решетках.
- Не выключайте питание сразу же после прекращения эксплуатации.
- Если прибор работает длительное время и выше потолка присутствует воздух высокой температуры/высокой влажности (выше точки росы 26 °C), во внутреннем приборе или на потолочных материалах может возникать конденсация росы. При эксплуатации приборов в таких условиях, на всю поверхность прибора и потолочных материалов следует добавлять изоляционный материал (10–20 мм), чтобы предотвратить конденсацию росы.

2. Установка внутреннего блока

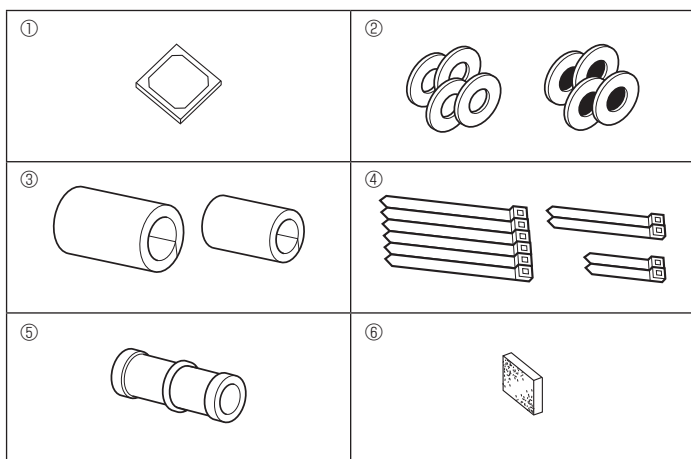


Fig. 2-1

2.1. Проверьте дополнительные принадлежности внутреннего блока (Fig. 2-1)

Внутренний блок поставляется со следующими дополнительными принадлежностями.

	Наименование дополнительного компонента	Количество
①	Монтажный разметочный инструмент	1
②	Шайбы (с изоляцией)	4
	Шайбы (без изоляции)	4
③	Покрытие трубы (для соединения трубопровода хладагента)	
	Небольшой диаметр (для жидкости)	1
	Большой диаметр (для газа)	1
④	Лента (большая)	6
	Лента (средняя)	2
	Лента (маленькая) * Использовать только одну.	2
⑤	Дренажное гнездо	1
⑥	Изоляция	1

2. Установка внутреннего блока

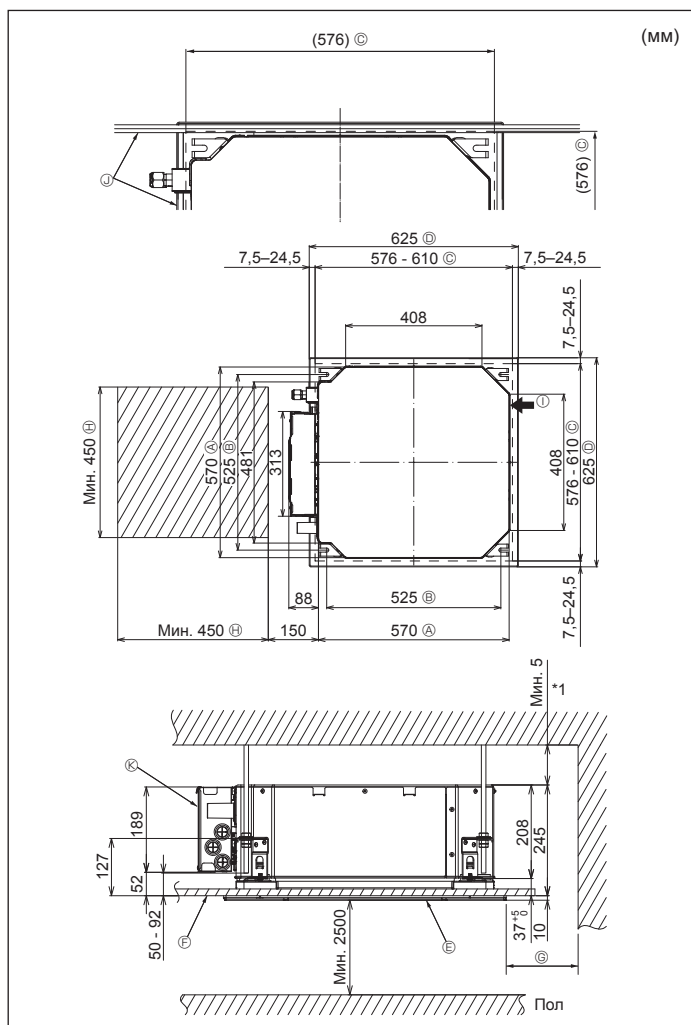


Fig. 2-2

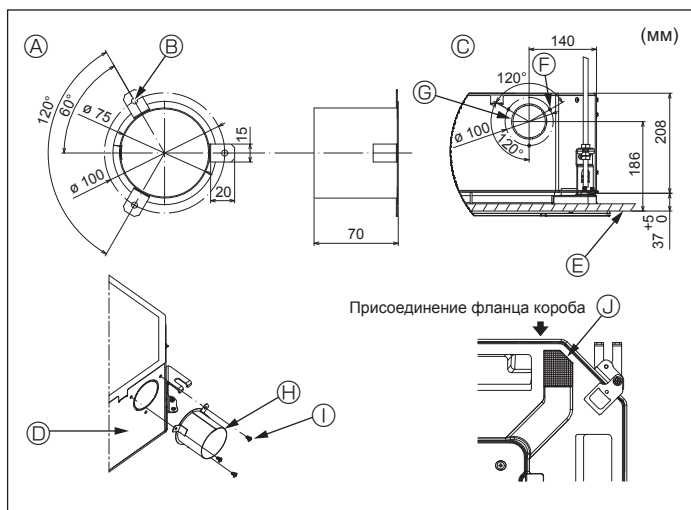


Fig. 2-3

2.2. Местоположения отверстий в потолке и подвесного болта (Fig. 2-2)

С помощью монтажного шаблона и лекала для установки (поставляется в качестве дополнительной принадлежности вместе с решеткой) сделайте отверстие в потолке таким образом, чтобы можно было установить основной блок, как показано на схеме. (Показан метод использования монтажного шаблона и лекала.)

* Перед использованием проверьте размеры монтажного шаблона и лекала, поскольку они могут меняться из-за колебаний температуры и влажности.

* Размеры отверстия в потолке можно регулировать в пределах диапазона, указанного на схеме; расположите основной блок напротив отверстия в потолке, убедившись, что соответствующие противоположные стороны на всех сторонах зазора между ними одинаковы.

Используйте подвесные болты M10 (3/8 дюйма).

* Подвесные болты необходимо закупать по месту эксплуатации.

Надежно установите, убедившись, что между потолочной панелью и решеткой, а также между основным блоком и решеткой нет зазоров.

- | | |
|------------------------------------|---|
| Ⓐ Наружная сторона основного блока | Ⓢ Мин. 500 мм (весь периметр) |
| Ⓑ Шаг болта | Если необходимо обеспечить пространство для технического обслуживания в |
| Ⓒ Отверстие в потолке | Ⓢ, оставьте не менее 700 мм. |
| Ⓓ Наружная сторона решетки | Ⓙ Пространство для технического обслуживания |
| Ⓔ Решетка | Ⓚ Впуск свежего воздуха |
| Ⓛ Потолок | Ⓛ Угол |
| | Ⓚ Коробка электрических компонентов |

* Оставьте пространство для технического обслуживания в конце коробки электрических компонентов.

*1 При установке в существующее место установки блока на потолке или применении дополнительной теплоизоляции обеспечьте минимальное пространство — 25 мм.

2.3. Установка короба (в случае использования впуска свежего воздуха) (Fig. 2-3)

⚠ Осторожно:

Соединение канального вентилятора и кондиционера

Если используется канальный вентилятор, убедитесь, что при заборе наружного воздуха он соединен с кондиционером.

Запрещается использовать только вентилятор. Такое использование может привести к образованию капель росы.

Создание фланца короба (подготавливается на месте)

• Рекомендуется использовать форму фланца короба, как показано слева.

Установка фланца короба

• Вырежьте отверстие. Запрещается пробивать отверстие.

• Установите фланец короба в вырезанное отверстие внутреннего блока с помощью трех приобретенных на месте самонарезающих винтов 4 × 10.

Установка короба (подготавливается на месте)

• Подготовьте короб, внутренний диаметр которого помещается в наружный диаметр фланца короба.

• Если выше потолка наблюдается среда с высокой температурой и высокой влажностью, заверните короб в теплоизоляцию во избежание образования капель росы на стене.

Снимите изоляцию дренажного поддона.

- | | |
|--|--|
| Ⓐ Рекомендованная форма фланца короба (Толщина: 0,8 или более) | Ⓢ 3 отверстия для самонарезающих винтов |
| Ⓑ 3 отверстия с $\varnothing 5$ | Ⓢ Вырезное отверстие $\varnothing 73,4$ |
| Ⓒ Подробный чертеж впуска свежего воздуха | Ⓙ Фланец короба (подготавливается на месте) |
| Ⓓ Внутренний блок | Ⓚ Самонарезающий винт 4 × 10 (подготавливается на месте) |
| Ⓔ Поверхность потолка | Ⓛ Изоляция |

2. Установка внутреннего блока

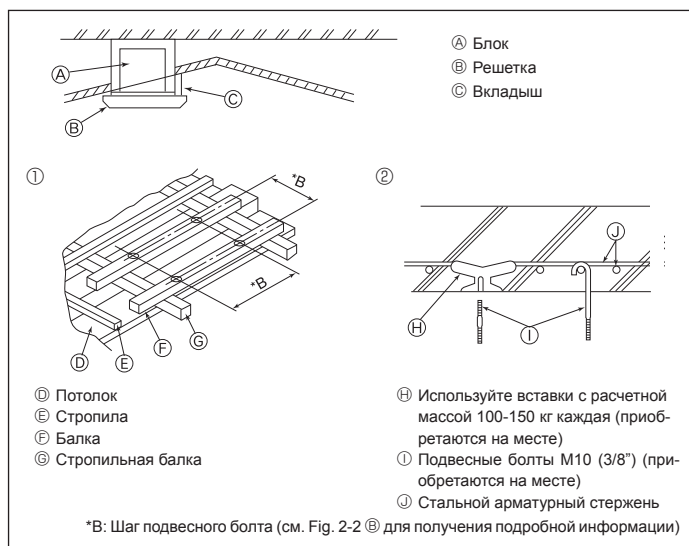


Fig. 2-4

2.4. Подвесная конструкция (местоположение подвесной прочной структуры) (Fig. 2-4)

Потолочные работы различаются в зависимости от конструкции здания. Более подробную информацию можно получить у строителей и оформителей интерьера.

- Степень снятия потолка. Потолок должен быть абсолютно горизонтальным, а основание потолка (несущая конструкция: деревянные рейки и их опоры) должно быть усилено, чтобы защитить потолок от вибрации.
- Вырежьте и снимите основание потолка.
- Укрепите края основания потолка в местах вырезов и вставьте основание потолка для укрепления краев потолочной плиты.
- При установке блока на скошенный потолок установите вкладыш между потолком и решеткой таким образом, чтобы блок можно было установить в горизонтальном положении.

① Деревянные конструкции

- Используйте анкерные балки (одноэтажные здания) или балки первого этажа (двухэтажные здания) в качестве арматурных деталей.
- Деревянные балки для подвешивания кондиционера должны быть прочными, а длина их краев должна составлять не менее 6 см, если балки находятся на расстоянии не более 90 см друг от друга и не менее 9 см, если балки находятся на расстоянии до 180 см. Размер подвесных болтов должен составлять $\varnothing 10$ (3/8"). (Болты не входят в комплект поставки блока).

② Железобетонные конструкции

Закрепите подвесные болты с использованием указанного метода или воспользуйтесь стальными или деревянными подвесными кронштейнами и т.п. для монтажа подвесных болтов.

2.5. Процедура подвешивания блока (Fig. 2-5)

Подвесьте основной блок, как показано на схеме.

- Заранее установите компоненты на подвесные болты в порядке: шайбы (с изоляцией), шайбы (без изоляции) и гайки (двойные).

- Установите шайбу с подкладкой таким образом, чтобы изоляция была лицевой стороной вниз.
- В случае использования верхних шайб для подвешивания основного блока нижние шайбы (с изоляцией) и гайки (двойные) устанавливаются позже.

- Поднимите блок до нужной высоты подвесных болтов, чтобы вставить монтажную плиту между шайбами, затем надежно закрепите.

- Если основной блок нельзя выровнять относительно монтажного отверстия на потолке, его можно отрегулировать с помощью слота на монтажной плите. (Fig. 2-6)

- Убедитесь, что шаг А выполнен в пределах 37–42 мм. Несоблюдение указанного диапазона может стать причиной повреждений.

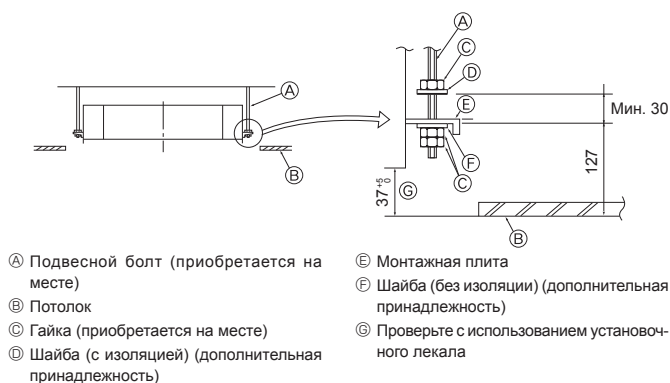


Fig. 2-5

2.6. Подтверждение положения основного блока и затягивание подвесных болтов (Fig. 2-7)

- С помощью лекала, прикрепленного к решетке, убедитесь, что нижняя часть основного блока должным образом совпадает с отверстиями в потолке. Проверьте это, иначе может формироваться конденсат и капать из-за утечки воздуха и т.д.

- Убедитесь, что основной блок выровнен по горизонтали с помощью уровня или виниловой трубки с водой.

- После проверки положения основного блока затяните гайки подвесных болтов и надежно закрепите основной блок.

- Монтажный шаблон может использоваться как защитная пластина для предотвращения проникновения пыли в основной блок при снятых на определенное время решетках или когда потолочные материалы необходимо покрасить после завершения установки блока.

- Более подробная информация приведена в инструкции по установке монтажного шаблона.

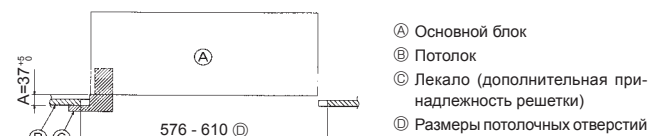


Fig. 2-6

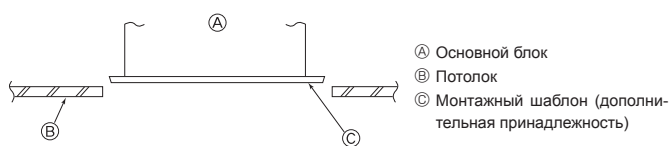


Fig. 2-7

3. Трубопровод хладагента и дренажная труба

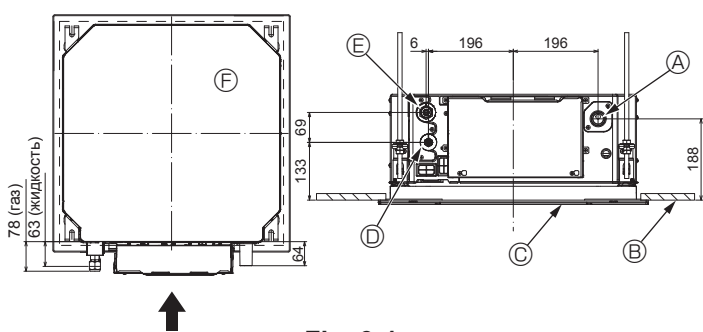


Fig. 3-1

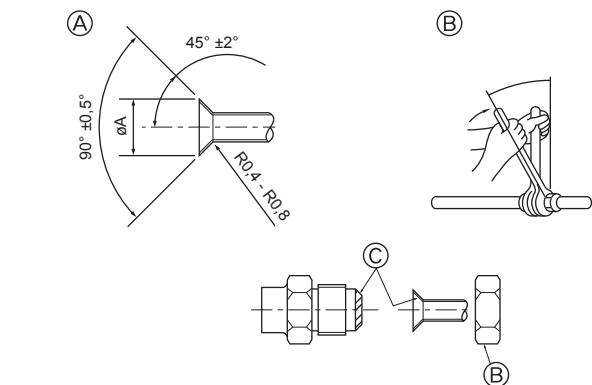


Fig. 3-2

3.1. Расположение трубопровода хладагента и дренажной трубы внутреннего блока (Fig. 3-1)

- Ⓐ Дренажная труба
- Ⓑ Потолок
- Ⓒ Решетка
- Ⓓ Трубопровод хладагента (жидкость)
- Ⓔ Трубопровод хладагента (газ)
- Ⓕ Основной блок

3.2. Соединительные трубы (Fig. 3-2)

- При использовании имеющихся в продаже медных труб оберните трубы для жидкости и газа изоляцией, которая также доступна в продаже (термостойкая изоляция до 100 °С и более, толщиной 12 мм и более).
- Внутренние компоненты дренажной трубы должны быть обернуты изоляционными материалами из пенополиэтилена (с относительной плотностью 0,03, толщиной 9 мм или больше).
- Нанесите тонкий слой охлаждающего масла на трубу и выполните соединение посадочной поверхности до затяжки конусной гайки.
- Используйте два ключа для затяжки трубных соединений.
- Используйте поставляемую изоляцию трубы охладителя для изоляции соединений внутреннего блока. Тщательно заизолируйте.

⚠ Предупреждение:

При установке блок надежно подсоедините трубы подачи хладагента до запуска компрессора.

- Ⓐ Раструбный стык - размеры

Наружный диаметр медной трубы (мм)	Размеры раструба, ⌀А диаметр (мм)
⌀6,35	8,7–9,1
⌀9,52	12,8–13,2
⌀12,7	16,2–16,6
⌀15,88	19,3–19,7
⌀19,05	22,9–23,3

- Ⓑ Размеры трубопровода хладагента и крутящий момент затяжки конусной гайки

	R410A				Наружный диаметр конусной гайки	
	Труба для жидкости		Труба для газа		Труба для жидкости (мм)	Труба для газа (мм)
	Размер трубы (мм)	Крутящий момент затяжки (Н·м)	Размер трубы (мм)	Крутящий момент затяжки (Н·м)		
P15/20/25/32/40	НД ⌀6,35 (1/4")	14–18	НД ⌀12,7 (1/2")	49–61	17	26
P50	НД ⌀6,35 (1/4")	14–18	НД ⌀12,7 (1/2")	49–61	17	26
P63/80	НД ⌀9,52 (3/8")	34–42	НД ⌀15,88 (5/8")	68–82	22	29
P100/125	НД ⌀9,52 (3/8")	34–42	НД ⌀15,88 (5/8")	68–82	22	29

* Подключите соединение к следующим трубам: Трубы для жидкости и газа P50, трубы для газа P100/P125.

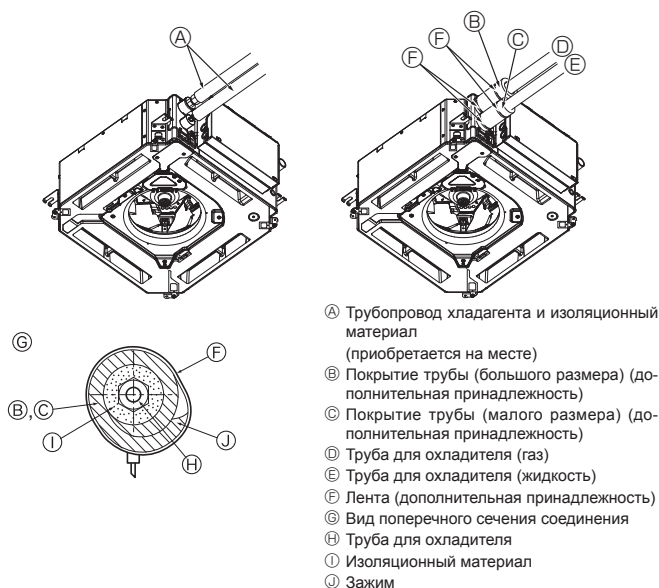


Fig. 3-3

- Ⓒ Нанесите охлаждающее смазочное масло на всю поверхность посадки конусной гайки.

3.3. Внутренний блок (Fig. 3-3)

Теплоизоляция труб охладителя:

- ① Оберните покрытие трубы большого размера вокруг трубы для газа, убедившись, что конец покрытия трубы касается боковой части прибора.
 - ② Оберните покрытие трубы меньшего размера вокруг трубы для жидкости, убедившись, что конец покрытия трубы касается боковой части прибора.
 - ③ Закрепите оба конца покрытия каждой трубы с помощью прилагаемых лент. (Устанавливайте ленты на расстоянии 20 мм от концов покрытий труб.) Убедитесь, что во время установки прорезы в покрытии трубы расположены лицевой стороной вверх.
- После подключения трубопровода хладагента к внутреннему блоку не забудьте проверить соединения труб на предмет утечки газа с помощью азота. (Убедитесь, что нет утечки хладагента из трубопровода хладагента на внутренний блок).

3. Трубопровод хладагента и дренажная труба

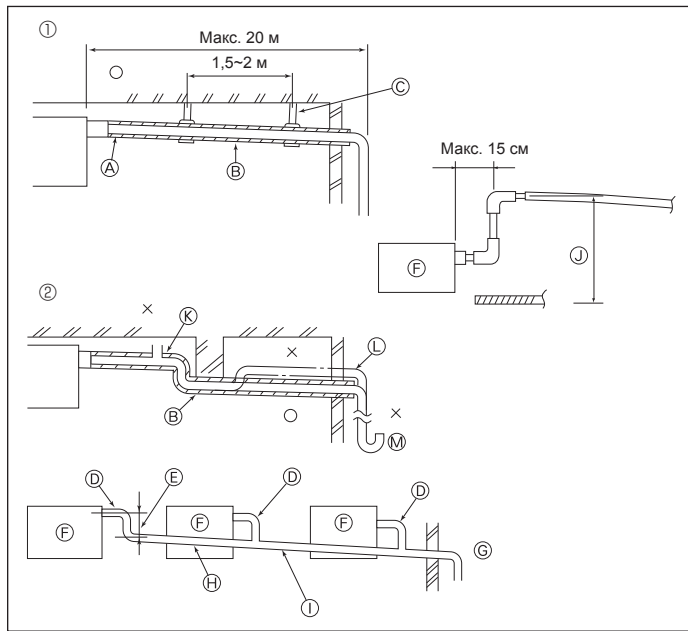


Fig. 3-4

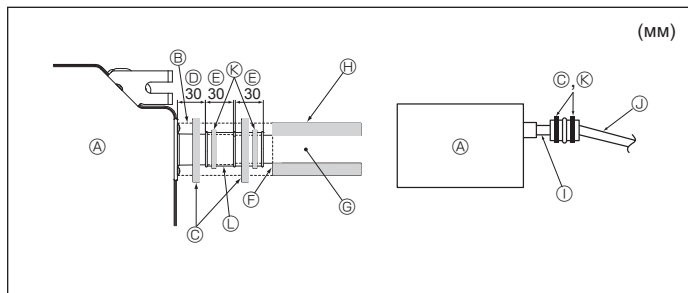


Fig. 3-5

3.4. Работы по установке дренажной трубы (Fig. 3-4)

- Для дренажного трубопровода используйте трубы VP25 (НД $\varnothing 32$ (1-1/4"), труба ПВХ) и обеспечьте наклон вниз 1/100 или больше.
- Убедитесь, что трубные соединения выполнены поливиниловым клеем.
- Придерживайтесь схемы подключения труб.
- Для изменения направления отвода используйте сливной шланг из комплекта поставки.

- ① Правильное подключение труб
- ② Неправильное подключение труб
- Ⓐ Изоляция (9 мм или более)
- Ⓑ Наклон вниз (1/100 или более)
- Ⓒ Металлические крепления
- Ⓚ Клапан для выпуска воздуха
- Ⓛ Выступающий изгиб
- Ⓜ Ловушка для запахов

Сгруппированные трубопроводы

- Ⓒ НД $\varnothing 32$ ТРУБА ПВХ
- Ⓔ Сделайте максимально большим
- Ⓕ Внутренний блок
- Ⓖ Для сгруппированных трубопроводов обеспечьте большой диаметр трубопровода.
- Ⓗ Наклон вниз (1/100 или более)
- Ⓛ НД $\varnothing 38$ ТРУБА ПВХ для сгруппированных трубопроводов. (изоляция 9 мм или более)
- Ⓞ До 850 мм

1. Подсоедините дренажное гнездо (в комплекте поставки) к дренажному отверстию. (Fig. 3-5) (Прикрепите трубку с помощью клея ПВХ, а затем зафиксируйте ее лентой).
2. Установите приобретенную на месте дренажную трубу (труба ПВХ, НД $\varnothing 32$). (Прикрепите трубу с помощью клея ПВХ, а затем зафиксируйте ее лентой).
3. Заизолируйте трубку и трубу. (труба ПВХ, НД $\varnothing 32$ и гнездо)
4. Проверьте плавность дренирования.
5. Изолируйте дренажное отверстие изоляционным материалом, а затем закрепите материал лентой. (Изоляционный материал и лента поставляются с блоком).

- Ⓐ Блок
- Ⓑ Изоляционный материал
- Ⓒ Лента (большая)
- Ⓓ Дренажный порт (прозрачный)
- Ⓔ Границы вставки
- Ⓕ Стыковка
- Ⓖ Дренажная труба (НД $\varnothing 32$ ТРУБА ПВХ)
- Ⓗ Изолирующий материал (приобретается на месте)
- Ⓛ Прозрачная труба ПВХ
- Ⓞ НД $\varnothing 32$ ТРУБА ПВХ (наклон 1/100 или более)
- Ⓚ Лента (средняя)
- Ⓛ Дренажное гнездо

4. Электромонтажные работы

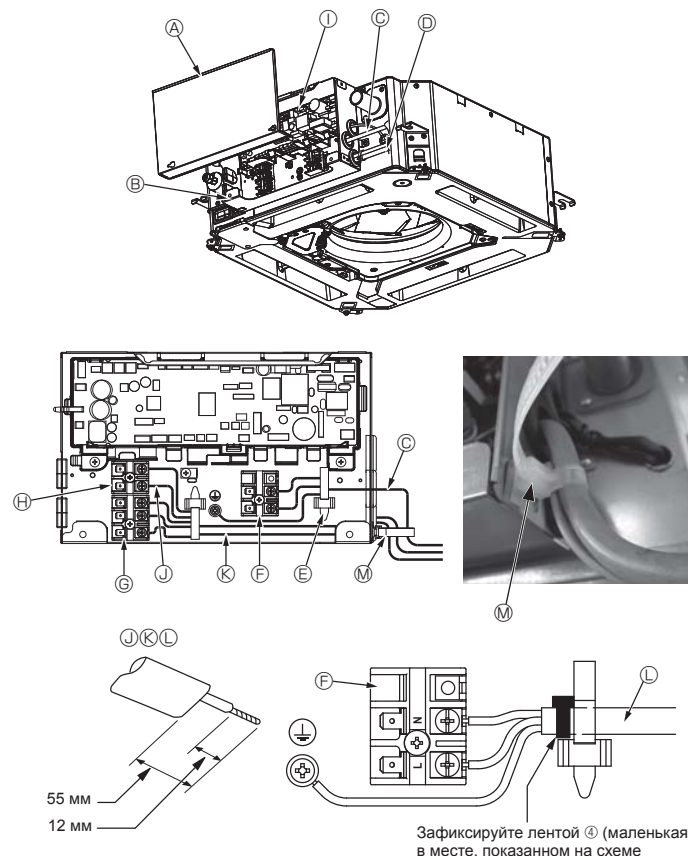


Fig. 4-1

4.1. Внутренний блок (Fig. 4-1, Fig. 4-2, Fig. 4-3)

1. Удалите 2 винта, чтобы отсоединить крышку коробки электрических компонентов.
 2. Проведите все кабели через кабельные отверстия в коробку электрических компонентов. (Кабели электропитания и управления приобретаются на месте).
 3. Надежно подключите кабели электропитания и управления к клеммным колодкам.
 4. Закрепите кабели с помощью зажимов снаружи коробки электрических компонентов.
 5. Установите на место крышку коробки электрических компонентов.
- Не допускайте ослабления контактных зажимов винтового типа.
 - Всегда заземляйте оборудование. (Диаметр кабеля заземления: более 1,6 мм)
 - Прикрепите кабель электропитания и кабель управления к коробке электрических компонентов с помощью буферного переходника силы натяжения. (соединение PG или аналогичное.)

- Ⓐ Крышка коробки электрических компонентов
- Ⓑ Клеммы передачи (M1, M2, S)
- Ⓒ Коробка электрических компонентов
- Ⓓ Клемма пульта дистанционного управления MA (1, 2)
- Ⓔ Внутренний контроллер
- Ⓕ Кабель дистанционного управления
- Ⓖ Кабель передачи
- Ⓗ Кабель питания
- Ⓚ Проводной зажим
- Ⓛ Кабельная стяжка

4. Электромонтажные работы

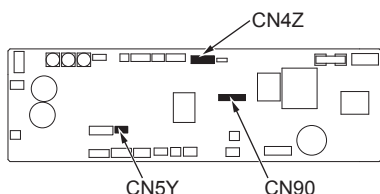
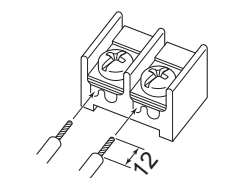


Fig. 4-2



Не забудьте подключить кабель дистанционного управления (0,3 мм) к местам, показанным на схеме.

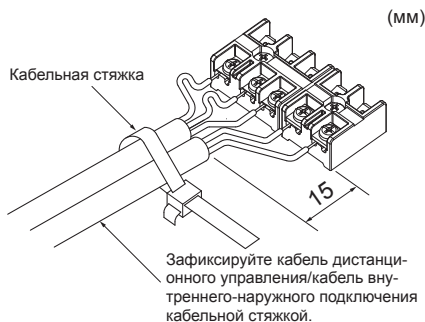


Fig. 4-3

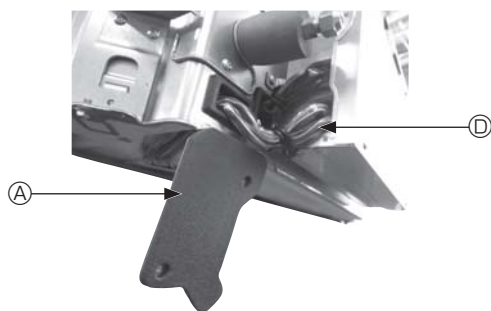


Fig. 4-4

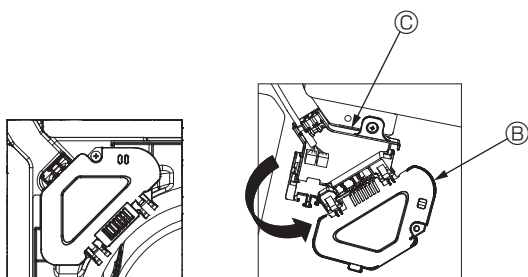


Fig. 4-5

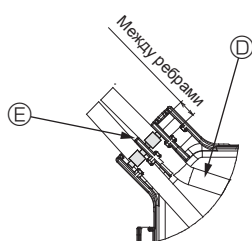


Fig. 4-6

⚠ Осторожно:

- Перед установкой решетки убедитесь, что соединительный кабель подключен.
- Если решетка оснащена приемником сигнала или инфракрасным датчиком температуры i-see, то комплект решетки включает в себя соединительный кабель.

- При использовании панели с беспроводным приемником сигнала или датчиком i-see перед установкой основного блока установите соединительный кабель для подключения беспроводного модуля с помощью этого кабеля от панели, выполнив следующие шаги.

Приемник сигнала: CN90

Датчик i-see: CN5Y

Мотор датчика i-see: CN4Z

⚠ Предупреждение:

- Вставьте крючок крышки электрического компонента в изогнутое крепление коробки электрических компонентов и надежно прикрепите крышку. Неправильное подсоединение может привести к возникновению пожара и поражению электрическим током из-за попадания пыли, воды и т. д.
- Используйте кабели указанных параметров для надежного соединения внутреннего и наружного блоков. Надежно закрепите кабели в клеммной колодке, чтобы натяжение провода не передавалось в секторы соединений клеммной колодки. Незавершенное соединение или ненадежная фиксация кабеля может привести к пожару.

4.1.1. Установка датчика i-See и приемника сигнала

Перед установкой решетки подсоедините провода соединения, входящие в комплект поставки, к решетке и поместите их в коннекторную коробку.

- ① Снимите два винта, крепящих крышку проводов основного блока, а затем откройте крышку.
- ② Проложите провода датчика i-See и приемника сигнала в каналы для проводов в коробке электрических компонентов, как показано на схеме, и вокруг втулки на стороне основного блока. (Fig. 4-4)
При прокладке провода откройте зажим, фиксирующий соединительный провод решетки, и затем закрепите соединительный провод решетки, а также провода датчика i-See и приемника сигнала с помощью зажима.
- ③ Снимите один винт, которым крепится крышка коннекторной коробки, а затем откройте крышку. (Fig. 4-5)
- ④ Поместите переходное соединительное устройство проводных линий в коннекторную коробку.
- ⑤ Установите крышку проводов и крышку коннекторной коробки.

⚠ Осторожно:

При установке крышек убедитесь, что вы не зажали провода.

Поместите ленту, фиксирующую соединительные провода, между ребрами коннекторной коробки, как показано на схеме. (Fig. 4-6)

- Ⓐ Крышка проводов
- Ⓑ Крышка коннекторной коробки
- Ⓒ Коннекторная коробка
- Ⓓ Питающий провод датчика i-See или приемника сигнала (дополнительная принадлежность решетки)
- Ⓔ Лента

4. Электромонтажные работы

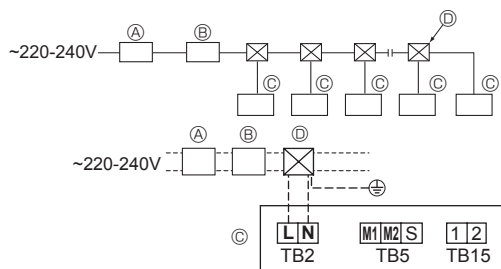


Fig. 4-7

4.2. Проводка питания

- Диаметр электропроводки должен соответствовать требованиям применимых местных и национальных стандартов.
- Кабель питания прибора должен быть не слабее 245 IEC 53 или 227 IEC57, 245 IEC 53 или 227 IEC 53.
- Длина наземной линии должна превышать длину других кабелей.
- При установке кондиционера должен использоваться выключатель с зазором между разомкнутыми контактами не менее 3 мм (1/8 дюйма) на каждом полюсе.

[Fig. 4-7]

- Ⓐ Прерыватель утечки тока на землю
- Ⓑ Локальный выключатель/щитовой выключатель
- Ⓒ Внутренний блок
- Ⓓ Протяжная коробка

⚠ Предупреждение:

Никогда не сращивайте кабель питания или внутренний/наружный соединительный кабель, в противном случае это может привести к образованию дыма, пожару или отказу связи.

Общий рабочий ток внутреннего блока	Минимальная толщина провода (мм ²)			Прерыватель утечки тока на землю *1	Локальный выключатель (A)		Прерыватель цепи (NFB)
	Магистральный кабель	Отвод	Заземление		Мощность	Предохранитель	
F0 = 16 A или менее *2	1,5	1,5	1,5	Чувствительность по току 20 A *3	16	16	20
F0 = 25 A или менее *2	2,5	2,5	2,5	Чувствительность по току 30 A *3	25	25	30
F0 = 32 A или менее *2	4,0	4,0	4,0	Чувствительность по току 40 A *3	32	32	40

Максимально допустимое сопротивление системы см. в IEC61000-3-3.

*1 Прерыватель утечки тока на землю должен поддерживать цепь инвертора.

Прерыватель утечки тока на землю должен поддерживать совместно использование с локальным выключателем или прерывателем цепи.

*2 В качестве значения F0 выберите большее значение из F1 или F2.

F1 = Общий максимальный рабочий ток внутренних приборов × 1,2

F2 = {V1 × (количество типа 1)/C} + {V1 × (количество типа 2)/C} + {V1 × (количество типа 3)/C} + {V1 × (количество прочих)/C}

Внутренний блок		V1	V2
Тип 1	PLFY-VBM, PMFY-VBM, PEFY-VMS, PCFY-VKM, PKFY-VHM, PKFY-VKM, PLFY-VFM	19,8	2,4
Тип 2	PEFY-VMA	38	1,6
Тип 3	PEFY-VMHS	46,6	4,8
Прочее	Другой внутренний блок	0	0

C: несколько значений тока отключения при времени отключения 0,01 с

Подберите значение "C" из размыкающих характеристик выключателя.

<Пример расчета "F2">

*Условие PEFY-VMS × 4 + PEFY-VMA × 1, C = 8 (см. примерную схему справа)

F2 = 19,8 × 4/8 + 38 × 1/8

= 14,65

→ выключатель 16 A (ток отключения = 8 × 16 A при 0,01 с)

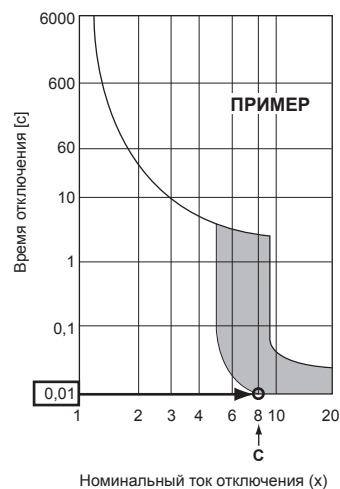
*3 Чувствительность по току рассчитана по следующей формуле.

G1 = V2 × (количество типа 1) + V2 × (количество типа 2) + V2 × (количество типа 3) + V2 × (количество прочих) + V3 × (длина провода [км])

G1	Чувствительность по току
30 или меньше	30 мА 0,1 с или меньше
100 или меньше	100 мА 0,1 с или меньше

Толщина провода	V3
1,5 мм ²	48
2,5 мм ²	56
4,0 мм ²	66

Примерная схема



4. Электромонтажные работы

4.3. Типы кабелей управления

1. Прокладка кабелей передачи

Типы кабелей передачи	Экранированный провод CVVS или CPEVS
Диаметр кабеля	Более 1,25 мм ²
Длина	Менее 200 м

2. Кабель дистанционного управления M-NET

Типы кабелей дистанционного управления	Экранированный провод MVVS
Диаметр кабеля	Более 0,5–1,25 мм ²
Длина	Добавьте любую часть свыше 10 м в пределах макс. допустимой длины кабеля передачи 200 м.

3. Кабель дистанционного управления MA

Типы кабелей дистанционного управления	2-жильный кабель (неэкранированный)
Диаметр кабеля	от 0,3 до 1,25 мм ²
Длина	Менее 200 м

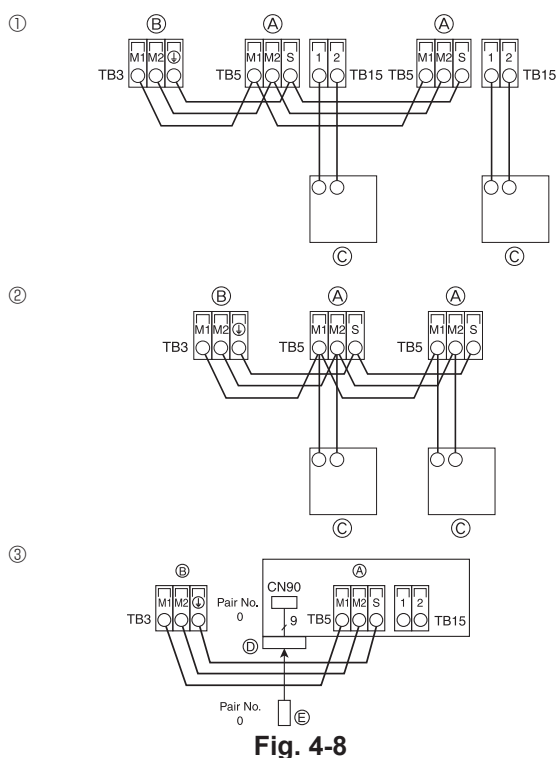


Fig. 4-8



Fig. 4-9

4.4. Подключение пульта дистанционного управления, внутреннего и наружного кабеля передачи (Fig. 4-8)

- Подключите внутренний блок TB5 и наружный блок TB3. (неполяризованный 2-проводной) "S" на внутреннем блоке TB5 представляет собой экранированное проводное соединение. Информация о спецификациях соединительных кабелей представлена в инструкции по установке наружного блока.
 - Установите пульт дистанционного управления, соблюдая указания руководства по установке, поставляемого с пультом дистанционного управления.
 - Подключите кабель передачи пульта дистанционного управления в диапазоне 10 м с использованием провода с сечением 0,75 мм². Если расстояние превышает 10 м, используйте провод 1,25 мм².
- ① Пульт дистанционного управления MA
 - Подключите "1" и "2" на внутреннем блоке TB15 к пульту дистанционного управления MA. (неполяризованный 2-проводной)
 - DC 9 к 13 В между 1 и 2 (пульт дистанционного управления MA)
 - ② Пульт дистанционного управления M-NET
 - Подключите "M1" и "M2" на внутреннем блоке TB5 к пульту дистанционного управления M-NET. (неполяризованный 2-проводной)
 - DC 24 к 30 В между M1 и M2 (пульт дистанционного управления M-NET)
 - ③ Беспроводной пульт дистанционного управления (при установке беспроводного приемника сигнала)
 - Подключите провод беспроводного приемника сигнала (9-полюсный кабель) к CN90 внутренней панели контроллера.
 - Чтобы изменить настройки количества пар, обратитесь к руководству по установке, которое прилагается к беспроводному пульту дистанционного управления. (Настройки внутреннего блока и беспроводного пульта дистанционного управления по умолчанию предусматривают количество пар — 0).
- Ⓐ Клемная колодка внутреннего кабеля передачи
 Ⓑ Клемная колодка наружного кабеля передачи (M1(A), M2(B), Ⓣ(S))
 Ⓒ Пульт дистанционного управления
 Ⓓ Беспроводной приемник сигнала
 Ⓔ Беспроводной пульт дистанционного управления

4.5. Установка адресов (Fig. 4-9)

- (Убедитесь, что во время работы питание выключено).
- Существует два типа доступных настроек пакетного переключателя: настройка адресов от 1 до 9 и более 10 и настройка сети.
- ① Как настроить адреса
 - Пример. Если адрес — "3", оставьте SW12 (для более 10 адресов) при "0" и соедините SW11 (для адресов от 1 до 9) с "3".
 - ② Как настроить сеть SW14 (только для серии R2)
 - Сопоставьте трубу хладагента внутреннего блока с номером соединительной детали контроллера BC.
 - Оставьте, за исключением серии R2, значение "0".
- Все пакетные выключатели при поступлении с производства установлены на "0". Эти переключатели могут использоваться для установки адресов блока и сети по желанию.
 - Определение адресов внутреннего блока зависит от системы на месте установки. Установите их, пользуясь справочником.

4.6. Измерение комнатной температуры встроенным в пульт дистанционного управления датчиком

Если вы хотите измерить комнатную температуру встроенным в пульт дистанционного управления датчиком, установите SW1-1 на панели управления в положение ON (ВКЛ.). Настройка SW1-7 и SW1-8 по мере необходимости также делает возможной регулировку потока воздуха при выключенном термометре.

4. Электромонтажные работы

4.7. Настройки переключателя для высоких потолков

В этом блоке скорость потока воздуха и вентилятора могут быть отрегулированы с помощью настроек SW21-1 и SW21-2. Выберите подходящий параметр из таблицы в соответствии с местом установки.

* Убедитесь, что заданы параметры выключателя SW21-1 и SW21-2, в противном случае возможны проблемы с нагревом/охлаждением.

	SW21-1	SW21-2	Высота
Бесшумный режим	–	ВКЛ	2,5 м
Стандартный режим	ВЫКЛ	ВЫКЛ	2,7 м: настройки по умолчанию
Высокий потолок	ВКЛ	ВЫКЛ	3,0 м

4.8. Настройки переключателя для датчика i-See

При использовании датчика i-See необходимо настроить SW3-4 как позицию датчика i-See. (см. 202 стр.)

	SW3-4	
Положение ①	ВЫКЛ	Место маркировки □
Положение ③	ВКЛ	Место маркировки ○: настройки по умолчанию

4.9. Настройка переключателя для горизонтального потока воздуха

Угол направления воздушного потока в горизонтальной плоскости можно менять с помощью переключателя SW3-5.

	SW3-5
Бесквозняковая вентиляция (по умолчанию)	ВЫКЛ
Настройка движения по нисходящей линии	ВКЛ

4.10. Электрические характеристики

Обозначения: MCA: макс. амперная нагрузка (= 1,25×FLA) FLA: полная амперная нагрузка
IFM: Мотор вентилятора внутреннего блока Выходная мощность: Номинальная мощность мотора вентилятора

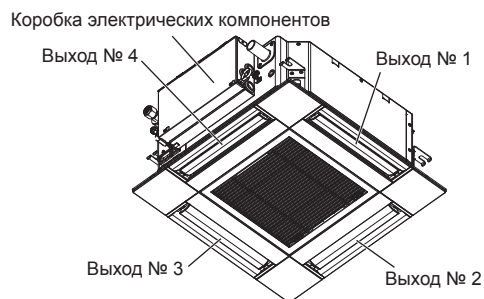
Модель	Питание		IFM		
	Вольт/Гц	Диапазон +- 10%	MCA (A)	Выходное напряжение (кВт)	FLA (A)
PLFY-P15VFM-E1	220-240 В/50 Гц 220 В/60 Гц	Макс.: 264 В Мин.: 198 В	0,24	0,05	0,19
PLFY-P20VFM-E1			0,26	0,05	0,21
PLFY-P25VFM-E1			0,28	0,05	0,22
PLFY-P32VFM-E1			0,29	0,05	0,23
PLFY-P40VFM-E1			0,35	0,05	0,28
PLFY-P50VFM-E1			0,50	0,05	0,40

4.11. Как установить фиксированное направление воздуха вверх/вниз (только для проводного пульта дистанционного управления)

• Для PLFY-FM только конкретный выход можно установить в определенном направлении по приведенной ниже процедуре. После того, как было установлено определенное направление для определенного выхода, оно будет устанавливаться при каждом включении кондиционера. (Другие выходы будут работать согласно заданным на пульте дистанционного управления настройкам направления воздуха ВВЕРХ/ВНИЗ).

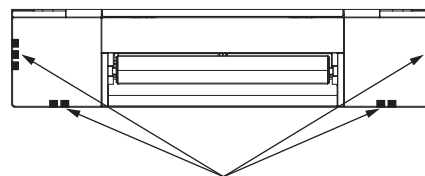
■ Пояснения

- Address No. of indoor unit (Адрес № внутреннего блока) — номер, присваиваемый каждому кондиционеру.
- Outlet No. (№ выхода) — номер, присваиваемый каждому выходу кондиционера. (см. справа).
- Up/Down air direction (Направление воздуха вверх/вниз) — направление (угол) для фиксации.



Примечание.

Номер выпуска указан количеством пазов на обоих концах каждого воздуховыпускного отверстия. Установите желаемое направление потока воздуха и сверьтесь с данными на дисплее пульта дистанционного управления.



Идентификационные отметки воздуховыпускных отверстий

Горизонтальный поток воздуха



Настройка пульта дистанционного управления

Направление воздушного потока из этого выхода управляется настройками направления потока воздуха на пульте дистанционного управления.

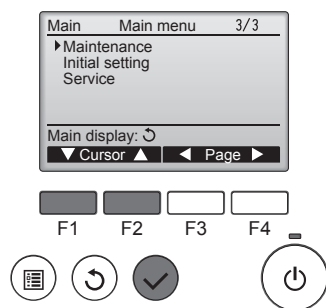
Фиксированные настройки

Направление воздушного потока этого выхода фиксируется в определенном направлении.

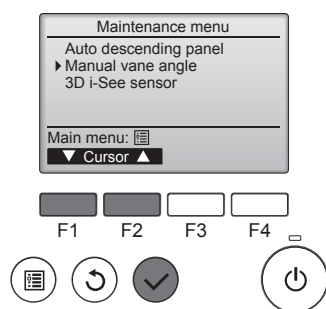
* Если из-за прямого воздушного потока холодно, направление воздушного потока можно установить горизонтально.

4. Электромонтажные работы

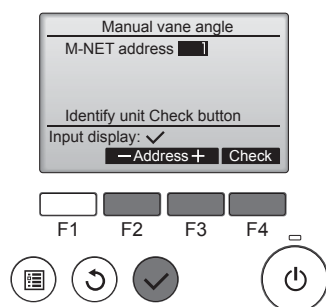
■ Ручная настройка угла дефлектора



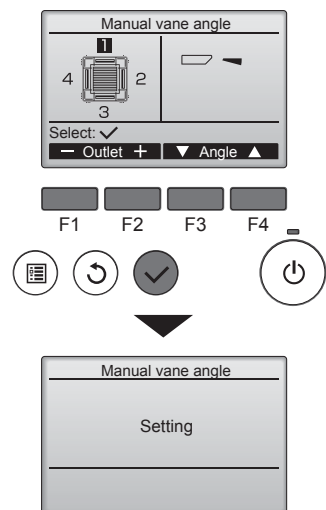
① Выберите в главном меню пункт "Maintenance" (Сервисное обслуживание) и нажмите кнопку [ВЫБОР].



② Выберите "Manual vane angle" (Ручная настройка угла дефлектора) с помощью кнопки [F1] или [F2], затем нажмите кнопку [ВЫБОР].



③ Выберите "M-NET address" (Адрес M-NET) для блоков, чьи дефлекторы должны быть зафиксированы в неподвижном состоянии, с помощью кнопок [F2] или [F3], затем нажмите кнопку [ВЫБОР]. Нажмите кнопку [F4] для подтверждения блока. Дефлектор только выбранного внутреннего блока направляется вниз.



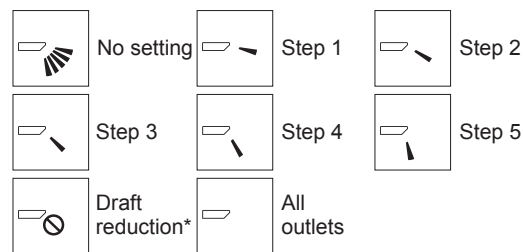
④ Появятся текущие настройки дефлектора.

Выберите необходимый выход от 1 до 4 нажатием кнопки [F1] или [F2].
• Выход: "1", "2", "3", "4" и "1, 2, 3, 4, (все выходы)"

Нажмите кнопку [F3] или [F4] для перехода между пунктами в следующем порядке: "No setting" (Не установлено (сброс)), "Step 1" (Уровень 1), "Step 2" (Уровень 2), "Step 3" (Уровень 3), "Step 4" (Уровень 4), "Step 5" (Уровень 5) и "Draft reduction*" (Уменьшение силы тяги*). Выберите нужные настройки.

* Уменьшение силы тяги
Направление потока воздуха при данной настройке является более горизонтальным по сравнению с направлением потока воздуха настройки "Step 1" (Уровень 1). Это позволяет снизить силу тяги. Настройка снижения силы тяги может быть применена только к 1 лопатке.

■ Настройка угла дефлектора



Нажмите кнопку [ВЫБОР], чтобы сохранить настройки. Появится экран, который отображает информацию о передаче настроек.

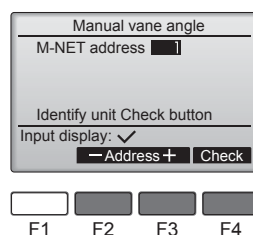
Изменения настроек будут применены к выбранному выходу. Экран автоматически вернется к показанному выше состоянию (шаг 5) после завершения передачи.

Настройте другие выходы, соблюдая ту же процедуру.

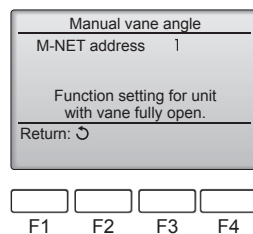
Если выбраны все выходы, будет отображаться при следующей эксплуатации устройства.

Перемещение по экранам
• Чтобы вернуться к главному меню.....кнопка [МЕНЮ]
• Чтобы вернуться к предыдущему экрану ..кнопка [ВОЗВРАТ]

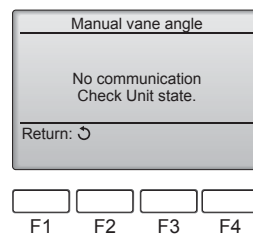
■ Процедура подтверждения



① Выберите "M-NET address" (Адрес M-NET) для блоков, чьи дефлекторы должны быть зафиксированы в неподвижном состоянии, с помощью кнопок [F2] или [F3]. Нажмите кнопку [F4] для подтверждения блока.



② После нажатия кнопки [F4] выждите приблизительно 15 секунд, затем проверьте текущее состояние кондиционера.
→ Жалюзи должно быть направлено вниз. → Данный кондиционер отображается на пульте дистанционного управления.
→ Все выпускные отверстия закрыты. → Для продолжения операции с начала нажмите кнопку [ВОЗВРАТ].
→ Отображаются сообщения, приведенные слева. → По данному адресу хладагента указанное устройство не существует.



• Нажмите кнопку [ВОЗВРАТ] для возврата к исходному экрану.

③ Измените параметр "M-NET address" (Адрес M-NET) на следующий порядковый номер.
• См. шаг ① для изменения параметра "M-NET address" (Адрес M-NET) и продолжения процедуры подтверждения.

4.12. Первоначальная настройка

Следующие настройки могут быть выполнены в режиме первоначальной настройки.

Элемент	Настройка	Fig. 4-11
Единица температуры	°C/°F	Ⓐ
Отображение времени	12-часовой формат/24-часовой формат	Ⓑ
АВТОМАТИЧЕСКИЙ режим	Одиночная уставка/двойная уставка	Ⓒ
Номер пары	0-3	Ⓓ
Подсветка	On/Off (Вкл./Выкл.)	Ⓔ

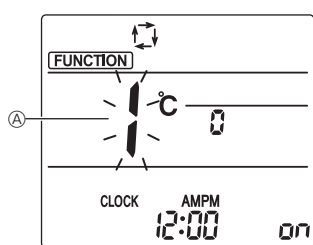
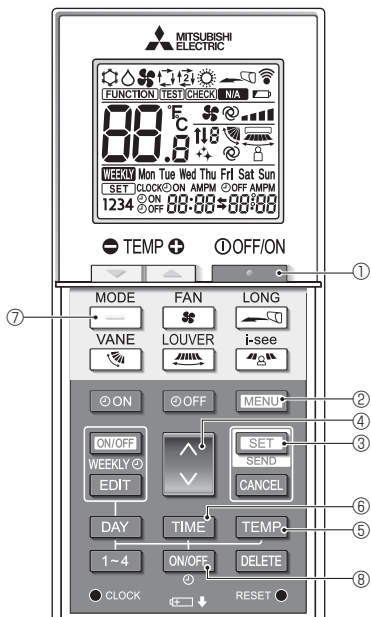


Fig. 4-10

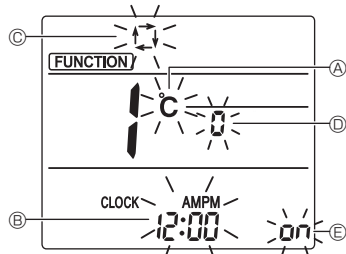


Fig. 4-11

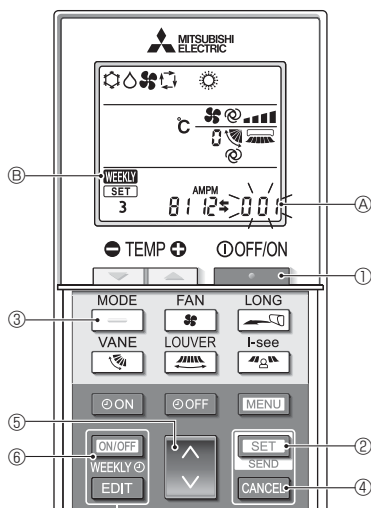


Fig. 4-12

4.12.1. Переключение в режим первоначальной настройки

1. Нажмите кнопку **FUNCTION** ①, чтобы остановить работу кондиционера воздуха.
2. Нажмите кнопку **MENU** ②.

Отобразится экран настройки Function (Настройка функций) и будет мигать числовое значение функции ③. (Fig. 4-10)

3. Убедитесь, что отображается числовое значение функции "1", затем нажмите кнопку **SET** ③.

Отобразится экран настройки индикации дисплея. (Fig. 4-11)

Нажмите кнопку **TEMP** ⑤, чтобы изменить числовое значение функции.

4.12.2. Изменение единицы температуры (Fig. 4-11 Ⓐ)

Нажмите кнопку **TEMP** ⑤.

При каждом нажатии кнопки **TEMP** ⑤ происходит переключение между элементами **C** и **F**.

C: температура отображается в градусах шкалы Цельсия.

F: температура отображается в градусах шкалы Фаренгейта.

4.12.3. Изменение отображения времени (Fig. 4-11 Ⓑ)

Нажмите кнопку **TIME** ⑥.

При каждом нажатии кнопки **TIME** ⑥ происходит переключение между элементами **12:00** и **24:00**.

12:00: время отображается в 12-часовом формате.

24:00: время отображается в 24-часовом формате.

4.12.4. Изменение АВТОМАТИЧЕСКОГО режима (Fig. 4-11 Ⓒ)

Нажмите кнопку **ON/OFF** ⑦.

При каждом нажатии кнопки **ON/OFF** ⑦ происходит переключение между элементами **ON** и **OFF**.

ON: режим AUTO (АВТОМАТИЧЕСКИЙ) работает как обычный автоматический режим.

OFF: режим AUTO (АВТОМАТИЧЕСКИЙ) работает с использованием двойных уставок.

4.12.5. Изменение номера пары (Fig. 4-11 Ⓓ)

Нажмите кнопку **1-4** ④.

При каждом нажатии кнопки **1-4** ④ происходит смена номеров пары 0-3.

Номер пары беспроводного пульта дистанционного управления	Печатная плата внутреннего блока SW22		
	SW22-3	SW22-4	
0	ВКЛ	ВКЛ	Первоначальная настройка
1	ВЫКЛ	ВКЛ	
2	ВКЛ	ВЫКЛ	
3	ВЫКЛ	ВЫКЛ	

4.12.6. Изменение настройки подсветки Ⓔ

Нажмите кнопку **ON/OFF** ⑧.

При каждом нажатии кнопки **ON/OFF** ⑧ происходит переключение между элементами **ON** и **OFF**.

ON: подсветка загорается при нажатии кнопки.

OFF: подсветка не загорается при нажатии кнопки.

4.12.7. Завершение настроек

Нажмите кнопку **SET** ③.

- Номер функции ③ начнет мигать. (Fig. 4-10)

Нажмите кнопку **MENU** ②.

- Пульт дистанционного управления вернется в исходный режим настройки. (Работа кондиционера будет остановлена.)

4.12.8. Отключение автоматического режима (Fig. 4-12)

1. Нажмите кнопку **FUNCTION** ①, чтобы остановить работу кондиционера воздуха.

- Если недельный таймер активирован, нажмите кнопку **ON/OFF WEEKLY** ⑥ для отключения таймера (**WEEKLY** ⑥ исчезнет.)

2. Нажмите и удерживайте в течение 5 секунд кнопку **SET** ③.

- Прибор войдет в режим настройки функции. (Будет мигать групповой номер настройки модели ④.)

3. Нажмите кнопку **TEMP** ⑤.

- Введите групповой номер настройки модели: 066. (Заводская настройка — 002.)

4. Завершение настроек (Fig. 4-12)

Нажмите и удерживайте в течение 5 секунд кнопку **SET** ③.

- Пульт дистанционного управления выйдет из режима настройки функции.

5. Установка решетки

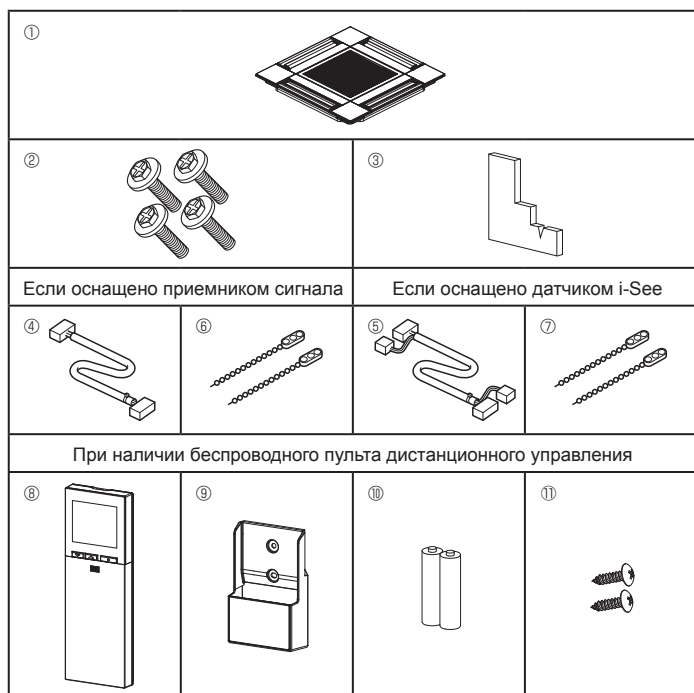


Fig. 5-1

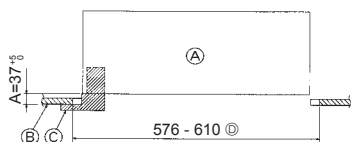


Fig. 5-2

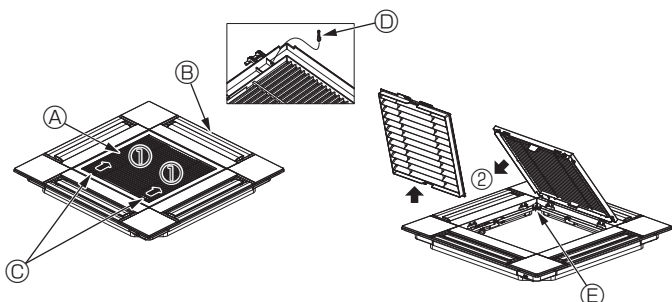


Fig. 5-3

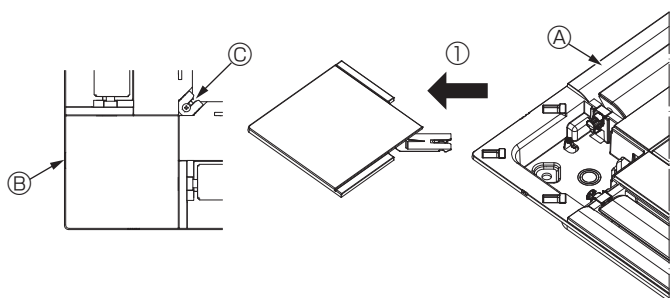


Fig. 5-4

<Крючок решетки>

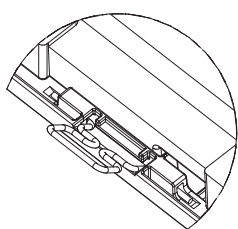


Fig. 5-5

<Решетка временно подвешена>

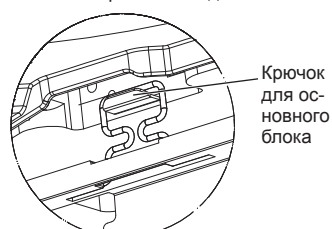


Fig. 5-6

5.1. Проверьте дополнительные принадлежности решетки (Fig. 5-1)

- Решетка поставляется со следующими дополнительными принадлежностями.

	Наименование дополнительного компонента	Количество	Замечание
①	Решетка	1	625 × 625 (мм)
②	Винт с шайбой	4	M5 × 0,8 × 28 (мм)
③	Лекало	1	
④	Соединительный провод для приемника сигнала	1	Входит в комплект, если оснащено приемником сигнала.
⑤	Соединительный провод для датчика i-See	1	Входит в комплект, если оснащено датчиком i-See.
⑥	Зажим	2	Входит в комплект, если оснащено приемником сигнала.
⑦	Зажим	2	Входит в комплект, если оснащено датчиком i-See.
⑧	Беспроводной пульт дистанционного управления	1	Входит в комплект при наличии беспроводного пульта дистанционного управления.
⑨	Держатель пульта дистанционного управления	1	Входит в комплект при наличии беспроводного пульта дистанционного управления.
⑩	Батарейки LR6 AA	2	Входит в комплект при наличии беспроводного пульта дистанционного управления.
⑪	Шурупы-саморезы 3,5 × 16	2	Входит в комплект при наличии беспроводного пульта дистанционного управления.

5.2. Подготовка к присоединению решетки (Fig. 5-2)

- С помощью поставляемого в комплекте лекала отрегулируйте и проверьте размещение блока относительно потолка. Ненадлежащее размещение блока относительно потолка может привести к утечке воздуха, образованию конденсата или неправильной работе вертикальных заслонок.
- Убедитесь, что отверстие в потолке находится в пределах следующих допусков: 576 × 576–610 × 610
- Убедитесь, что шаг А выполнен в пределах 37–42 мм. Несоблюдение указанного диапазона может стать причиной повреждений.

- Ⓐ Основной блок
- Ⓑ Потолок
- Ⓒ Лекало (дополнительная принадлежность)
- Ⓓ Размеры потолочных отверстий

5.2.1. Снятие решетки впуска воздуха (Fig. 5-3)

- Переместите рычаги на решетке на впуске воздуха по направлению, обозначенному стрелкой ①. Решетка откроется.
- Снимите крючок, фиксирующий решетку.
 - * Не снимайте крючок решетки впуска воздуха.
- В открытом положении решетки впуска воздуха снимите петлю, как показано стрелкой ②.

- Ⓐ Решетка на впуске воздуха
- Ⓑ Решетка
- Ⓒ Рычаги решетки на впуске воздуха
- Ⓓ Крючок решетки
- Ⓔ Отверстие для крючка решетки

5.2.2. Снятие угловой панели (Fig. 5-4)

- Открутите винт в углу угловой панели. Сдвиньте угловую панель, как показано стрелкой ①, чтобы снять ее.

- Ⓐ Решетка
- Ⓑ Угловая панель
- Ⓒ Винт

5.3. Установка решетки

- Обратите внимание на наличие ограничения положения крепления решетки.

5.3.1. Временная установка решетки

Совместите отверстия для винтов в углах решетки с монтажными отверстиями в углах основного блока, зафиксируйте два крючка на решетке на выступах дренажного поддона основного блока и временно подвесьте решетку. (Fig. 5-5, 5-6)

⚠ Осторожно:

При установке датчика i-See и приемника сигнала поместите соединительные провода в коннекторную коробку перед тем, как временно подвешивать решетку.

См. п. 4.1.1. на стр. 194 с информацией о прокладке соединительных проводов.

5. Установка решетки

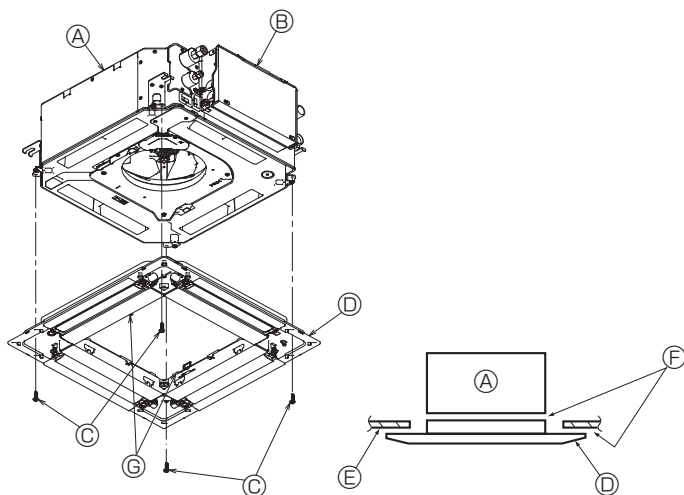


Fig. 5-7

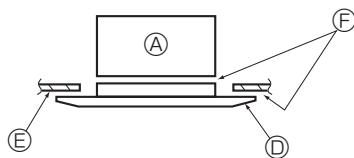


Fig. 5-8

5.3.2. Фиксация решетки

- Зафиксируйте решетку, затянув четыре винта. (Fig. 5-7)
- * Убедитесь в отсутствии зазоров между основным блоком и решеткой, а также между решеткой и поверхностью потолка. (Fig. 5-8)

- Ⓐ Основной блок
- Ⓑ Коробка электрических компонентов
- Ⓒ Винт с шайбой (дополнительная принадлежность)
- Ⓓ Решетка
- Ⓔ Потолок
- Ⓕ Убедитесь в отсутствии зазоров.
- Ⓖ Временные подвесные крюки на панели

⚠ Осторожно:

При затягивании винта с обжимным кольцом Ⓒ дотяните его до момента затяжки 4,8 Н·м или меньше. Запрещено использование пневматической отвертки.

Это может повредить компоненты.

- После затяжки винта убедитесь, что два крючка решетки (Fig. 5-6) зафиксированы на крючках на основном блоке.

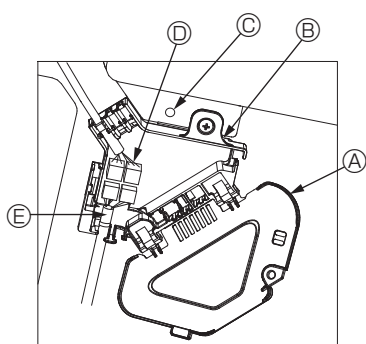


Fig. 5-9

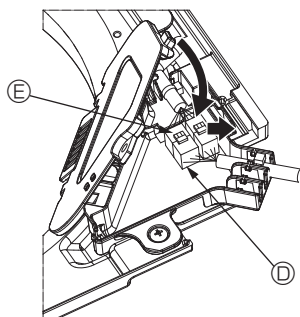


Fig. 5-10

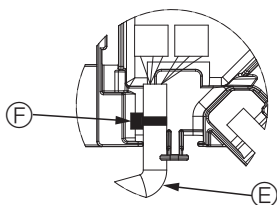


Fig. 5-11

5.3.3. Подключение проводов

- ① Снимите один винт, которым крепится крышка коннекторной коробки, переместите крышку по направлению, обозначенному стрелкой на схеме, откройте крышку.
- ② Поместите в коннекторную коробку соединительный провод для мотора дефлектора решетки и провод мотора дефлектора. Соедините провода. (Fig. 5-9) Существует два разъема мотора дефлектора: синий и оранжевый. Убедитесь, что при подключении цвета совпадают.
- ③ После размещения проводов в коннекторную коробку закройте крышку коробки. Убедитесь, что вы не зажали провода. (Fig. 5-10) Закрывая крышку коннекторной коробки, сдвиньте крышку в направлении, указанном стрелкой, и убедитесь, что выступ надежно вставлен.

- Ⓐ Крышка коннекторной коробки
- Ⓑ Коннекторная коробка
- Ⓒ Зажимной винт
- Ⓓ Узловой соединитель
- Ⓔ Соединитель провода мотора дефлектора
- Ⓕ Лента

⚠ Осторожно:

- Поместите ленту, фиксирующую провод мотора дефлектора, в коннекторную коробку, как показано на схеме. (Fig. 5-11)
- При закрытии крышки коннекторной коробки убедитесь, что вы не зажали провода.

5. Установка решетки

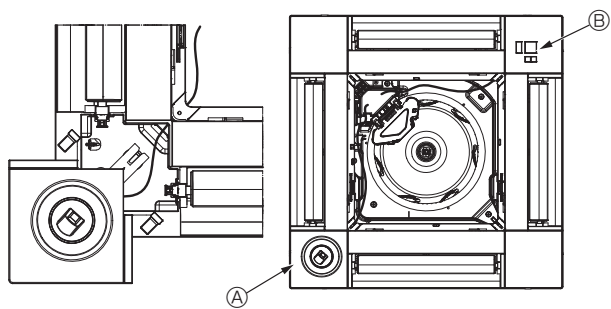


Fig. 5-12

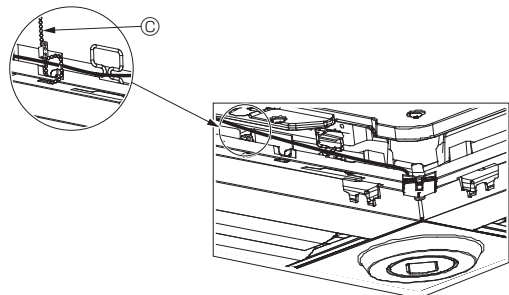


Fig. 5-13

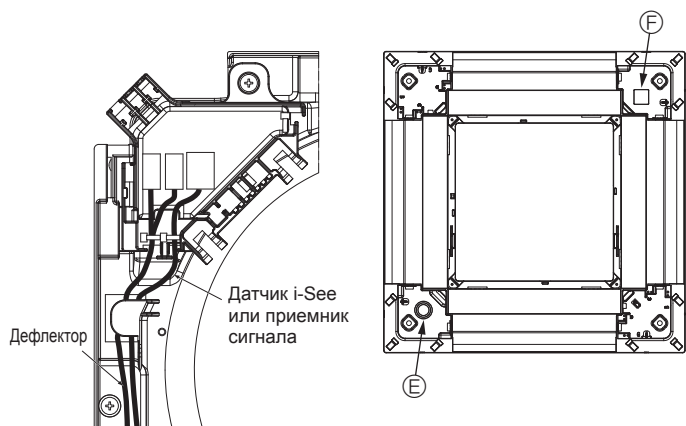


Fig. 5-14

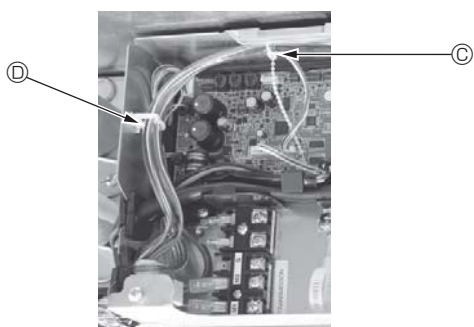


Fig. 5-15

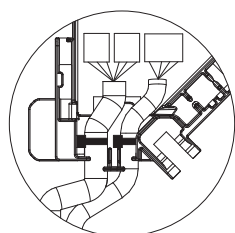


Fig. 5-16

5.3.4. Прокладка проводов угловой панели датчика i-See и приемника сигнала

- Установите датчик i-See и приемник сигнала в углах панели — в местах, обозначенных символами "o" или "□". (Положение может быть обратным).
- Проложите провода датчика i-See и приемника сигнала через квадратные отверстия в углах панели и установите их.
- Подключите переходное соединительное устройство и соединители провода датчика i-See и приемника сигнала в коннекторной коробке.
- Закройте крышку коннекторной коробки.
- Зафиксируйте провода датчика i-See и приемника сигнала на панели с помощью зажима, как показано на схеме, чтобы провода не провисали, после чего отрежьте лишнюю часть зажима. (Fig. 5-13)
- Поместите провода датчика i-See и приемника сигнала во внутрь фланца на панели.
- Если положение датчика i-See было изменено с "o" (E) на положение "□" (F), измените настройки выключателя. (См. стр. 197.)

⚠ Осторожно:

- Проложите провода датчика i-See и приемника сигнала, как показано на Fig. 5-14.
- Поместите излишние соединительные провода датчика i-See и приемника сигнала в проволочный хомут в коробке электрических компонентов, как показано на схеме, и зафиксируйте провода зажимом вместе. (Fig. 5-15) Убедитесь, что лента, фиксирующая соединительные провода датчика i-See и приемника сигнала, расположена внутри коннекторной коробки. (Fig. 5-16)
- Если разъемы мотора дефлектора и приемника сигнала неправильно подключены, лопасти не будут двигаться или будет отсутствовать связь с дистанционным пультом управления.

- Ⓐ Датчик i-See
- Ⓑ Приемник сигнала
- Ⓒ Зажим
- Ⓓ Проволочный хомут
- Ⓔ Маркировка "o": расположение датчика i-See по умолчанию
- Ⓕ маркировка "□": расположение приемника сигнала по умолчанию

5. Установка решетки

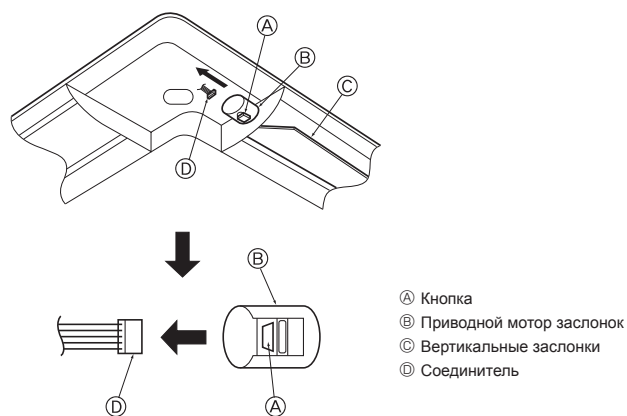
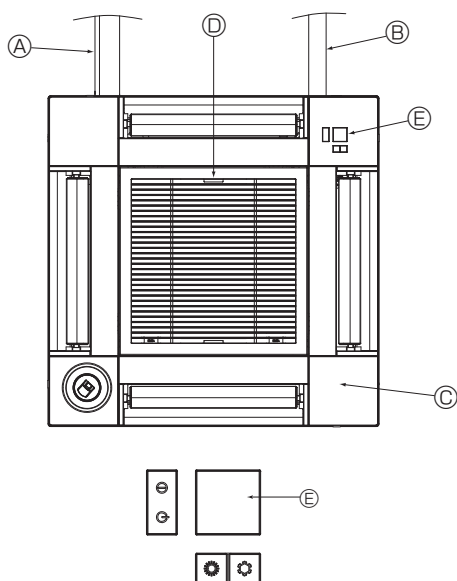


Fig. 5-17



Приемник сигнала

Fig. 5-18

5.4. Блокировка направления воздушного потока вверх/вниз (Fig. 5-17)

В зависимости от среды использования можно зафиксировать направление воздушного потока блока в положении вверх или вниз.

- Установка по желанию заказчика.
- Фиксирование направления потока вверх/вниз и все элементы автоматического управления не могут быть выполнены с помощью пульта дистанционного управления. Кроме того, фактическое положение лопастей может отличаться от указанной позиции на дистанционном пульте управления.
- ① Выключите главный выключатель питания.
Во время вращения вентилятора блока возможно получение травм или поражение электрическим током.
- ② Отсоедините разъем мотора дефлектора, который вы хотите заблокировать. (При нажатии кнопки снимите разъем в направлении, указанном стрелкой, как показано на схеме). После снятия заизолируйте разъем изолентой.

⚠ Осторожно:

Запрещается устанавливать вертикальные заслонки вне указанного диапазона. В противном случае на потолке может образоваться конденсат или в работе прибора могут возникнуть неполадки.

5.5. Установка решетки впуска воздуха (Fig. 5-18)

- Чтобы установить воздухозаборную решетку и угловую панель выполните шаги, описанные в п. "5.2. Подготовка к присоединению решетки", в обратном порядке.
- Ⓐ Трубопровод хладагента основного блока
- Ⓑ Дренажный трубопровод основного блока
- Ⓒ Угловая панель
- * Возможна установка в любом положении.
- Ⓓ Заводское положение рычагов на решетке впуска воздуха.
- * Зажимы могут быть установлены в любом из четырех положений.
- Ⓔ Приемник (для SLP-2FAL*)

5.6. Проверьте

- Убедитесь в отсутствии зазоров между прибором и решеткой и между решеткой и поверхностью потолка. Наличие зазоров между прибором и решеткой и между решеткой и поверхностью потолка может привести к скоплению влаги.
- Проверьте надежность подсоединения проводов.
- Убедитесь, что все четыре дефлектора двигаются. Если два или четырех дефлекторов не двигаются, см. п. 5.3. и проверьте подключения.
- Для угловой панели датчика 3D i-See: проверьте вращательное движение. Если датчик 3D i-See не вращается, ознакомьтесь с порядком действий в п. "5.3. Установка решетки".

6. Тестовый прогон

6.1. До проведения тестового прогона

- ▶ После завершения установки и прокладки проводки и труб внутреннего и наружного блоков проверьте систему на предмет утечки хладагента, плотности соединений проводки питания или цепи управления, неправильной полярности и отключения одной фазы питания.
- ▶ Используйте 500-вольтный мегаомметр для проверки сопротивления между клеммами питания и заземлением, которое должно составлять не менее 1,0 МОм.

- ▶ Не проводите данный тест на клеммах цепи управления (цепь низкого напряжения).

⚠ Предупреждение:

Не пользуйтесь кондиционером, если сопротивление изоляции ниже 1,0 МОм.

Интерфейс контроллера

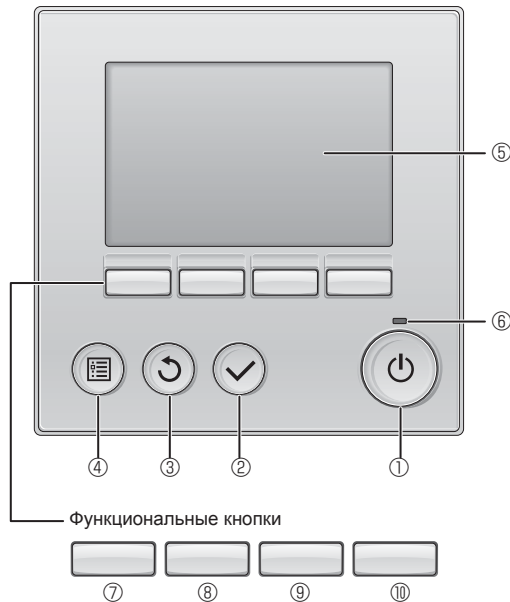


Fig. 6-1

6.2. Тестовый прогон

Доступны 3 следующих метода.

6.2.1. С использованием проводного пульта дистанционного управления (Fig. 6-1)

① Кнопка [ВКЛ/ВЫКЛ]

Нажмите, чтобы включить/выключить внутренний блок.

② Кнопка [ВЫБОР]

Нажмите, чтобы сохранить настройки.

③ Кнопка [ВОЗВРАТ]

Нажмите, чтобы вернуться к предыдущему экрану.

④ Кнопка [МЕНЮ]

Нажмите, чтобы вызвать главное меню.

⑤ Подсветка ЖК-экрана

Будут отображаться параметры работы.

Когда подсветка выключена, подсветка включается нажатием любой кнопки. Она будет гореть определенный период времени в зависимости от экрана.

Когда подсветка выключена, она включается нажатием любой кнопки, и тогда кнопка не выполняет свою функцию. (за исключением кнопок [ВКЛ/ВЫКЛ])

⑥ Индикатор ВКЛ/ВЫКЛ

Эта лампа загорается зеленым, когда блок работает. Она мигает при включении пульта дистанционного управления или когда есть сообщение об ошибке.

⑦ Функциональная кнопка [F1]

Главный экран: нажмите, чтобы изменить режим работы.

Главное меню: нажмите, чтобы переместить курсор вниз.

⑧ Функциональная кнопка [F2]

Главный экран: нажмите, чтобы снизить температуру.

Главное меню: нажмите, чтобы переместить курсор вверх.

⑨ Функциональная кнопка [F3]

Главный экран: нажмите, чтобы повысить температуру.

Главное меню: нажмите, чтобы вернуться на предыдущую страницу.

⑩ Функциональная кнопка [F4]

Главный экран: нажмите, чтобы изменить скорость вентилятора.

Главное меню: нажмите, чтобы перейти на следующую страницу.

Шаг 1 Включите на пульте дистанционного управления режим "Тестовый прогон".

① Выберите в главном меню пункт "Service" (Сервисное обслуживание) и нажмите кнопку

② При выборе сервисного меню появится окно с запросом пароля. (Fig. 6-2)

Чтобы ввести текущий пароль обслуживания (4 цифры), переместите курсор на цифру, которую необходимо изменить, с помощью кнопки [F1] или [F2], и введите каждую цифру (от 0 до 9) с помощью кнопки [F3] или [F4]. Затем нажмите кнопку .

Примечание: Начальный пароль техобслуживания — "9999". Для предотвращения несанкционированного доступа измените пароль, заданный по умолчанию. Предоставьте пароль тем лицам, которым он нужен.

Примечание: Если вы забыли свой пароль обслуживания, можно инициализировать пароль по умолчанию "9999", одновременно нажав и удерживая кнопки [F1] и [F2] на экране настроек пароля на протяжении трех секунд.

③ Выберите режим "Test run" (Тестовый прогон) кнопкой [F1] или [F2], затем нажмите кнопку . (Fig. 6-3)

④ Выберите режим "Test run" (Тестовый прогон) кнопкой [F1] или [F2], затем нажмите кнопку . (Fig. 6-4)

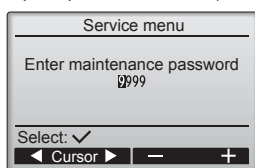


Fig. 6-2

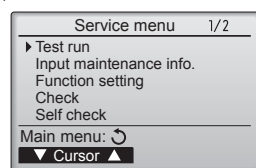


Fig. 6-3

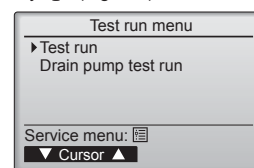


Fig. 6-4

6. Тестовый прогон

Шаг 2 Выполните тестовый прогон и проверьте температуру воздушного потока и автоматическую работу дефлектора.

- Нажмите кнопку [F1], чтобы выбрать режим работы Cool (Охлаждение) или Heat (Нагревание). (Fig. 6-5)
 Режим охлаждения: проверьте выход охлажденного воздуха.
 Режим нагревания: проверьте выход нагретого воздуха.
 * Проверка работы вентилятора наружного блока.
- Нажмите кнопку [✓] и откройте окно настройки режима работы дефлектора. Если лопасти не двигаются, убедитесь, что переходное соединительное устройство проводов подключено надежно и цвета разъемов совпадают.

Проверка работы дефлектора в автоматическом режиме

- Проверьте автоматический режим с помощью кнопок [F1] [F2]. (Fig. 6-6)
- Нажмите кнопку [↻] для возврата в режим Test run operation (Тестовый прогон).
- Нажмите кнопку [⏻].

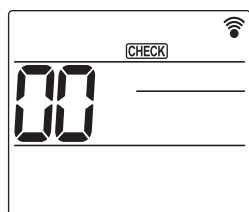


Fig. 6-7

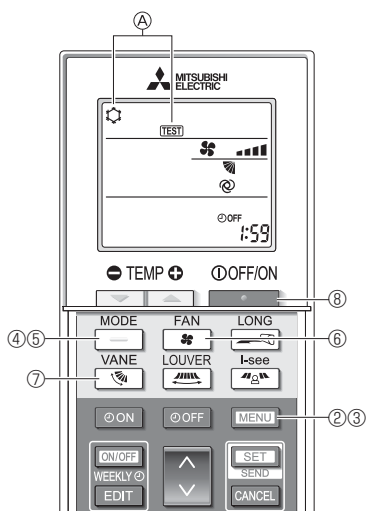
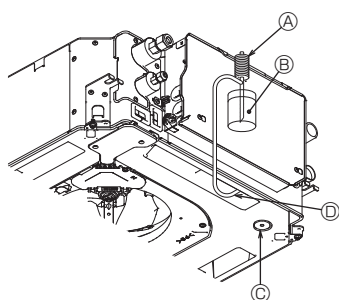


Fig. 6-8



- Ⓐ Насос водоснабжения
 - Ⓑ Вода (около 1000 куб. см.)
 - Ⓒ Пробка сливного отверстия
 - Ⓓ Налейте воду через выход
- Будьте осторожны, чтобы не распылить воду в механизм насоса для отвода конденсата.

Fig. 6-9

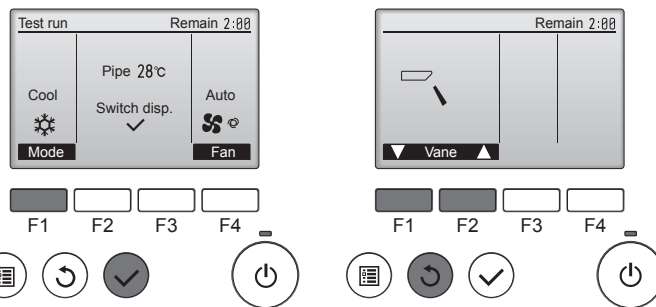


Fig. 6-5

Fig. 6-6

6.2.2. С использованием беспроводного пульта дистанционного управления

- Включите питание блока как минимум за 12 часов до тестового прогона.
- Нажмите и удерживайте кнопку [MENU] в течение 5 секунд. (Fig. 6-7) (Выполняйте эту операцию, когда дисплей пульта дистанционного управления выключен.)
- Нажмите кнопку [MENU].
 Отображаются [TEST] (TEST) и текущий режим работы. (Fig. 6-8)
- Нажмите кнопку [—], чтобы активировать режим охлаждения, затем проверьте, выдувается ли из блока прохладный воздух.
- Нажмите кнопку [—], чтобы активировать режим нагрева, затем проверьте, выдувается ли из блока теплый воздух.
- Нажмите кнопку [⚙️], и проверьте, изменилась ли скорость вентилятора.
- Нажмите кнопку [🌀] и проверьте правильность работы дефлектора в автоматическом режиме.
- Для остановки тестового прогона нажмите кнопку [⏻].
 (Через два часа будет отправлен сигнал для остановки тестового прогона.)

Примечание.

- Направьте пульт дистанционного управления в сторону приемника внутреннего блока во время выполнения шагов ③ — ⑧.
- Тестовый прогон невозможно выполнить в режимах FAN (ВЕНТИЛЯЦИЯ), DRY (СУШКА) или AUTO (АВТОМАТИЧЕСКИЙ).

6.3. Проверка дренажа (Fig. 6-9)

- Убедитесь, что дренаж воды осуществляется нормально и что соединения не пропускают воду.

После завершения электромонтажных работ

- Залейте воду во время охлаждения и проверьте.

Если электромонтажные работы не завершены

- Залейте воду во время аварийной эксплуатации и проверьте.
- Дренажный поддон и вентилятор активируются одновременно, когда одна фаза 220-240 В включена в L и N на клеммной колодке, после того как включен соединитель (SWE) на плате управления в распределительной коробке.

Не забудьте переключить его в обратное положение после работы.

This product is designed and intended for use in the residential, commercial and light-industrial environment.

Importer:

Mitsubishi Electric Europe B.V.
Capronilaan 46, 1119 NS, Schiphol Rijk, The Netherlands

French Branch
25, Boulevard des Bouvets, 92741 Nanterre Cedex, France

German Branch
Mitsubishi-Electric-Platz 1, 40882 Ratingen, Germany

Belgian Branch
Autobaan 2, 8210 Loppem, Belgium

Irish Branch
Westgate Business Park, Ballymount, Dublin 24, Ireland

Italian Branch
Centro Direzionale Colleoni, Palazzo Sirio-Ingresso 1 Viale Colleoni 7, 20864 Agrate Brianza (MB), Italy

Norwegian Branch
Gneisveien 2D, 1914 Ytre Enebakk, Norway

Portuguese Branch
Avda. do Forte, 10, 2799-514, Carnaxide, Lisbon, Portugal

Spanish Branch
Carretera de Rubi 76-80 - Apdo. 420 08173 Sant Cugat del Valles (Barcelona), Spain

Scandinavian Branch
Hammarbacken 14, P.O. Box 750 SE-19127, Sollentuna, Sweden

UK Branch
Travellers Lane, Hatfield, Herts., AL10 8XB, England, U.K.

Polish Branch
Krakowska 50, PL-32-083 Balice, Poland

MITSUBISHI ELECTRIC TURKEY ELEKTRİK ÜRÜNLERİ A.Ş.
Şerifali Mah. Kale Sok. No: 41 34775 Ümraniye, İstanbul / Turkey

MITSUBISHI ELECTRIC (RUSSIA) LLC
52, bld.1 Kosmodamianskaya Nab. 115054, Moscow, Russia

Please be sure to put the contact address/telephone number on this manual before handing it to the customer.

MITSUBISHI ELECTRIC CORPORATION

HEAD OFFICE: TOKYO BUILDING, 2-7-3, MARUNOUCHI, CHIYODA-KU, TOKYO 100-8310, JAPAN