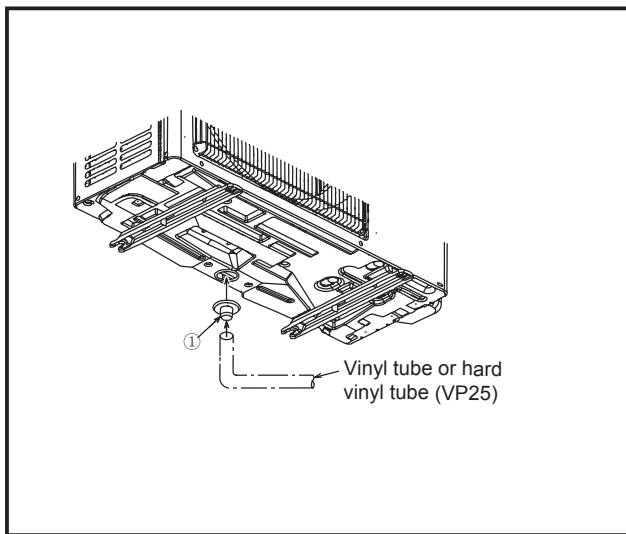


## Figure



## Descriptions

Cap the unnecessary holes on the outdoor unit (bottom) and centralize the drainage when using a drain pipe.

## Applicable Models

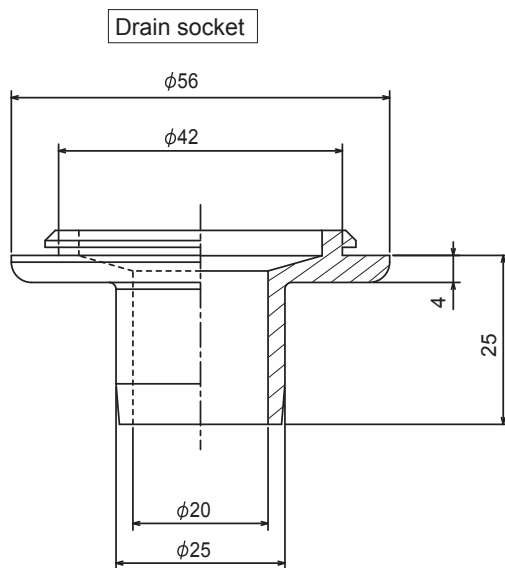
- PUAZ-ZRP35VKA
- PUAZ-ZRP50VKA

## Specifications

Drain pipe	PVC VP-25 or vinyl hose (ID: 25mm)
Operating conditions	No freezing allowed (Never to be used in cold climates)
Material	EPT rubber
Component	Drain socket x 1

## Dimensions

Unit : mm



The outdoor unit is provided with several holes for drainage at the bottom to make it easier. The drain socket is used to close the unnecessary holes and centralize the drainage when using the drain tube at the installation place. Do not use the drain socket in cold areas. The drain tube can be frozen.  
 \* Condensation could drop through the part fitting holes in the bottom of the outdoor unit.  
 Use the centralized drain pan to completely prevent condensation dropping.

### 1. Accessory

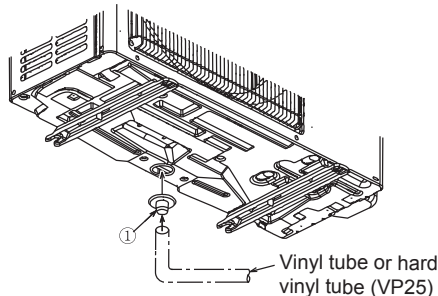
① Drain socket.....1 pc



Be aware that the part shown to the left is put in the package together with the installation manual.

### 2. Installation procedure ☆Prepare the adhesive in the field.

- (1) Glue the drain socket ① to the hole that is used to the drainage at the bottom of the unit with the glue (Prepare in the field).
- (2) Insert a vinyl tube of which inner diameter 25 mm available commercially or a hard vinyl tube VP25 to the drain socket ①.



OPTIONAL PARTS